

Power Dividers

820-915 MHz

Power Combiners / Dividers: Cellular Tx

- Wireless Coverage
- Can Combine Very High Power Non-Coherent Signals



Specifications

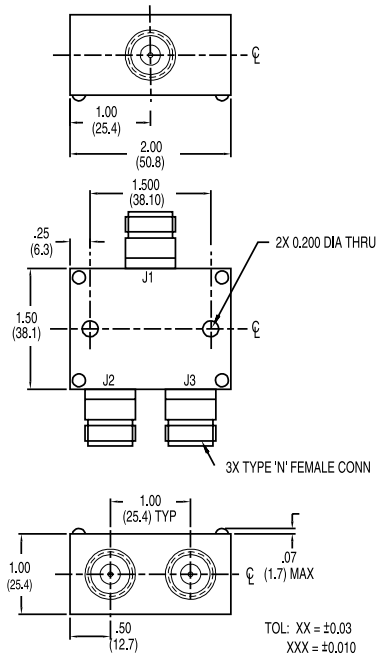
Type N, 2-, 3- and 4-Way, 820 to 915 MHz

FREQUENCY RANGE (MHz)	MODEL	N-WAY	VSWR (max.)		INSERTION LOSS (dB max.)		ISOLATION (dB min.)	AMPLITUDE BALANCE (dB max.)	PHASE BALANCE (max.)	TOTAL INPUT POWER*				WEIGHT	
			INPUT	OUTPUT	EXCLUDING COUPLED POWER	INCLUDING COUPLED				POWER DIVIDER OPERATION PORT J1		POWER COMBINER OPERATION MAX POWER PER PORT		oz.	gr.
										AVERAGE (W)	PEAK (kW)	AVERAGE (W)	PEAK (kW)		
820-915	30402	2-way	1.3	1.2	0.5	3.5	20	0.2	±3°	80	3	40	1.5	4.9	140
820-915	30403	3-way	1.3	1.2	0.6	5.4	20	0.2	±5°	80	3	27	1	8.1	230
820-915	30373	4-way	1.3	1.2	0.6	6.6	20	0.2	±3°	100	3	25	.75	10.9	310

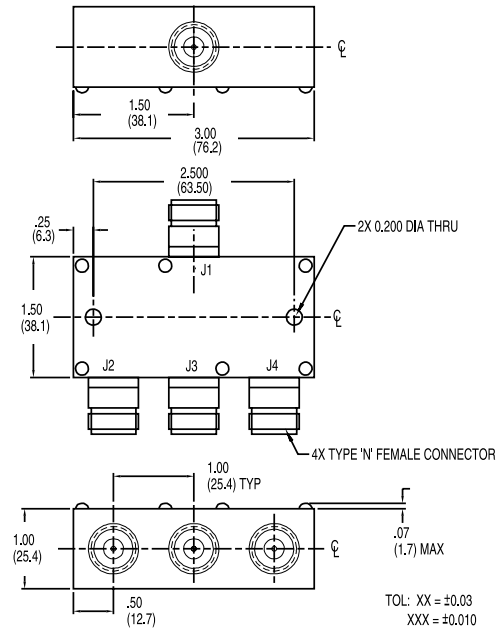
* Case Temperature must be limited to 85° C maximum, cooling fan may be required

Power Dividers

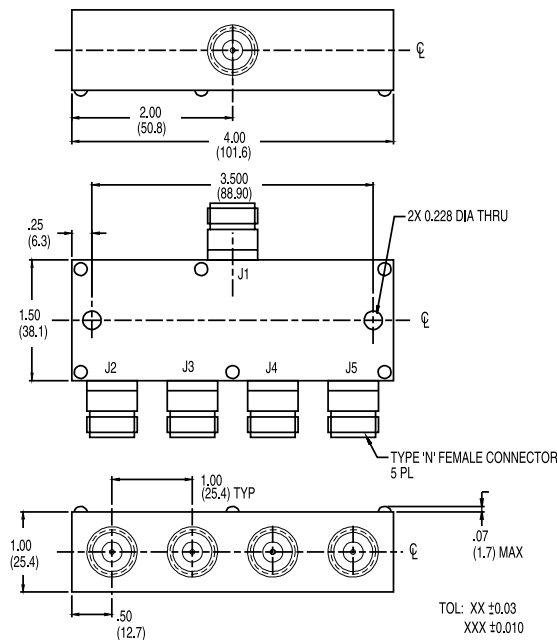
Outline Drawings



MODEL 30402



MODEL 30403



MODEL 30373

Dimensions in inches (mm in parentheses), unless otherwise specified.