

Phase Shifters

3-18 GHz

Phase Trimmer

- Broadband Frequency Coverage from 3 to 18 GHz
- Extremely Small Size and Lightweight
- Ruggedized Construction
- Operational from -54° to +100°C
- Fixed Length Phase Shifter



Specifications

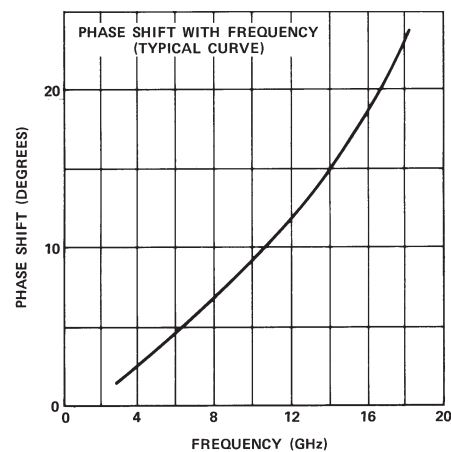
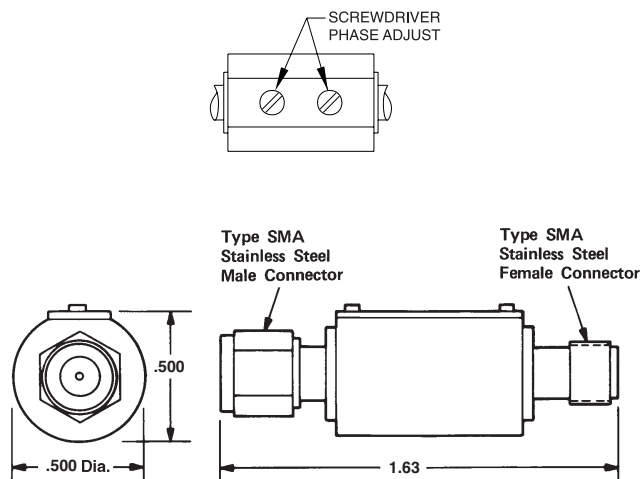
SMA, 3 to 18 GHz

FREQUENCY RANGE (GHz)	MODEL	INSERTION LOSS (dB max.)	PHASE SHIFT ADJUSTMENT RANGE	LINEARITY	VSWR (max.)	WEIGHT (max.)	
						oz.	gr.
3-18	4572B	0.4	±2°@ 3 GHz >20°@ 18 GHz	3-12.4 GHz: ±2° 12.4-18 GHz: ±5°	1.35	0.64	19

Note:

Input Power: 30 watts CW max. at 25° C; derates linearly to 0 W at +125°C.

Outline Drawing



Dimensions in inches, unless otherwise specified.