

# Step Attenuators

DC-2.5 GHz

## Commercial Use Step Attenuators

- For Commercial Wireless Applications



### Specifications

SMA (F), DC to 2.5 GHz

FREQUENCY RANGE (GHz)	MODEL	CONNECTOR	ATTENUATION ACCURACY (dB)	ATTENUATION RANGE	POWER		INSERTION LOSS (dB max.)	VSWR (max.)
					AVERAGE (W)	PEAK (kW)		
DC-2.5	AS-SMA-2.5-1-10	SMA(F)	DC-1.1: $\pm 0.25$ 1.1-2.2: $\pm 0.50$ 2.2-2.5: $\pm 0.60$	0-10 dB in 1 dB steps	1	1	DC-1.1: 0.25 1.1-2.5: 0.50	DC-1.1: 1.25 1.1-2.5: 1.50
	AS-SMA-2.5-1-50	SMA(F)	DC-0.5: $\pm 0.2$ or 1%* 0.5-1.0: $\pm 0.3$ or 3%* 1.0-2.5: $\pm 0.4$ or 3%*	0-50 dB in 1 dB steps	1	1	DC-1.0: 0.6 1.0-2.5: 1.1	DC-0.5: 1.2 0.5-1.0: 1.4 1.0-2.5: 1.5
	AS-SMA-2.5-1-70	SMA(F)	DC-0.5: $\pm 0.5$ or 1%* 0.5-1.0: $\pm 0.5$ or 2%* 1.0-2.5: $\pm 0.5$ or 3%*	0-70 dB in 10 dB steps	1	1	DC-1.0: 0.3 1.0-2.0: 0.5 2.0-2.5: 0.6	DC-1.0: 1.2 1.0-2.0: 1.4 2.0-2.5: 1.5
	AS-SMA-2.5-2-1	SMA(F)	$\pm 0.5$	0-1 dB in 0.1 dB steps	2	1	1.0	DC-1.1: 1.2 1.1-2.5: 1.4

\* Whichever is greater

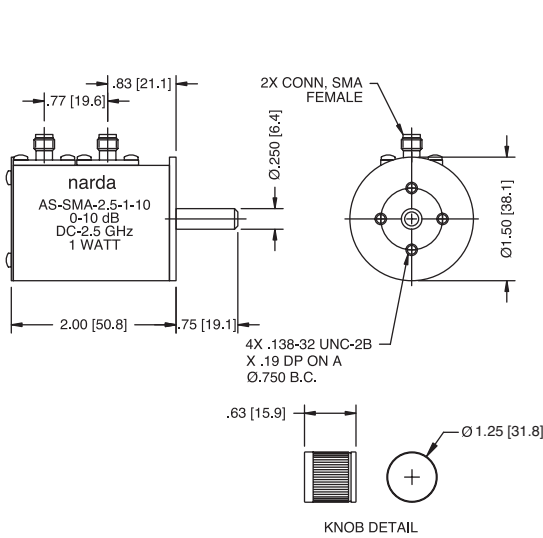
**NOTE:**

Operational Temperature Range: -20°C to +85°C

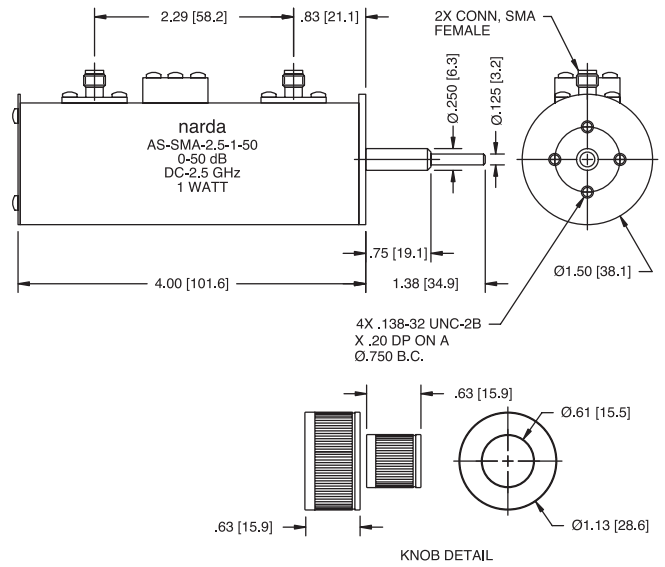


# Step Attenuators

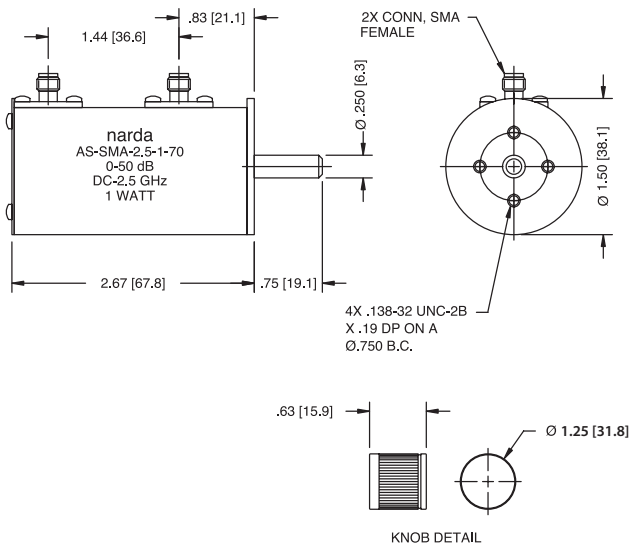
## Outline Drawings



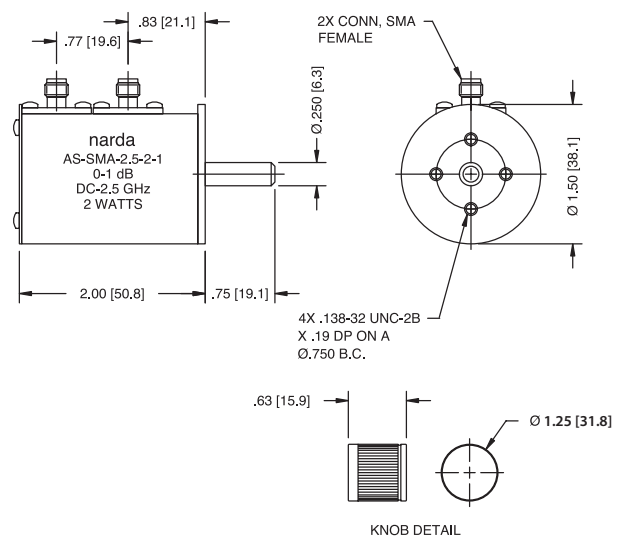
**MODEL**  
**AS-SMA-2.5-1-10**



**MODEL**  
**AS-SMA-2.5-1-50**



**MODEL**  
**AS-SMA-2.5-1-70**



**MODEL**  
**AS-SMA-2.5-2-1**

Dimensions in inches (mm in parentheses), unless otherwise specified.  
Connectors made without interference per MIL-STD-348.

