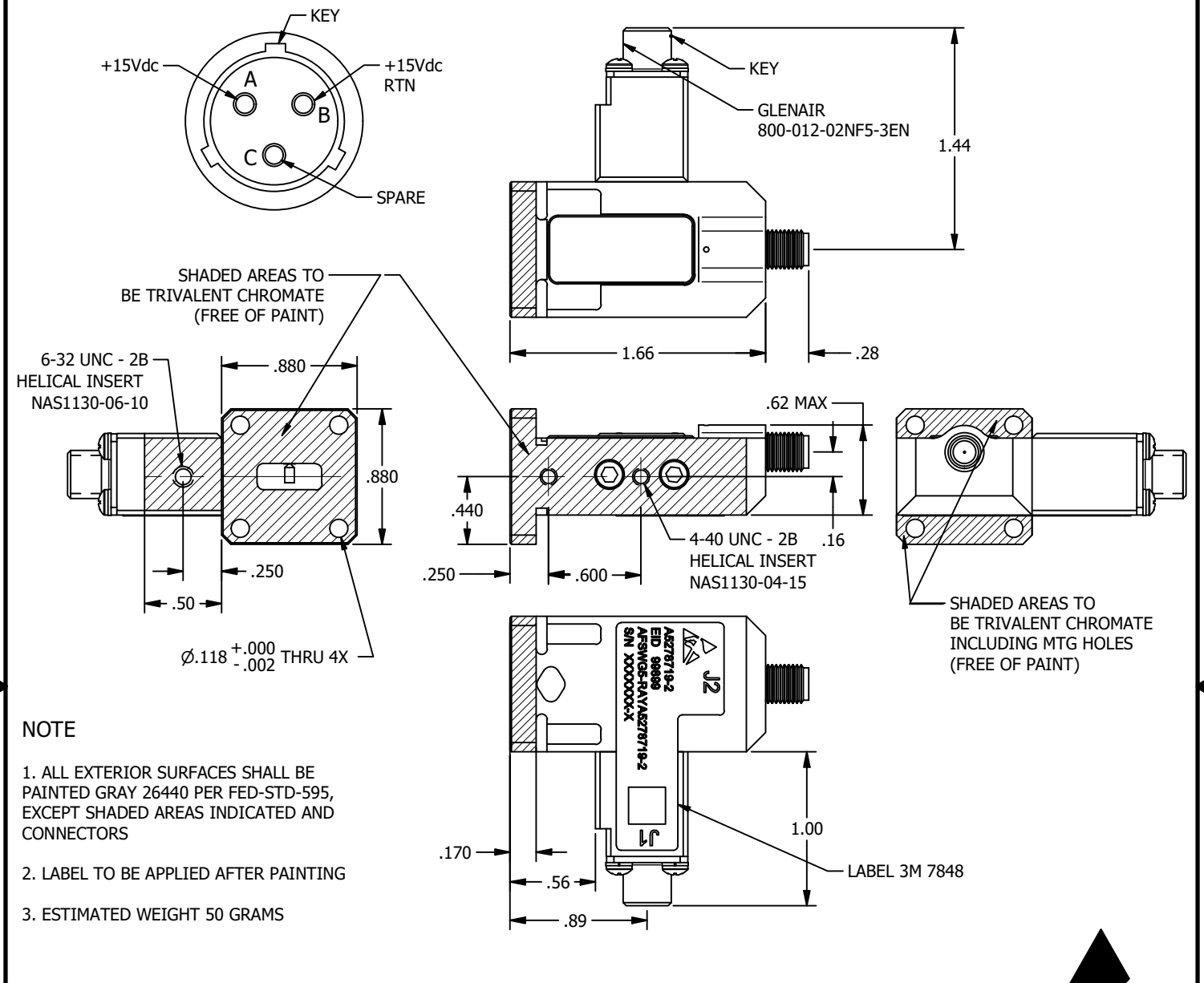


APPLICATION		REVISIONS			
NEXT ASSY	USED ON	LTR	DESCRIPTION	DATE	APPROVED
	225709	A	Initial Releas	8/18/2020	<i>rs</i>



NOTE

1. ALL EXTERIOR SURFACES SHALL BE PAINTED GRAY 26440 PER FED-STD-595, EXCEPT SHADED AREAS INDICATED AND CONNECTORS
2. LABEL TO BE APPLIED AFTER PAINTING
3. ESTIMATED WEIGHT 50 GRAMS

Narda-MITEQ PROPRIETARY
 THIS DOCUMENT CONTAINS INFORMATION WHICH IS PROPRIETARY TO Narda-MITEQ. THE CONTENTS SHALL NOT BE DISCLOSED, COPIED, DISTRIBUTED OR USED UNLESS AUTHORIZED BY AN OFFICER OF Narda-MITEQ.

THIS TECHNICAL DATA IS CONTROLLED UNDER THE EXPORT ADMINISTRATION REGULATIONS (EAR) AND MAY NOT BE EXPORTED TO A FOREIGN PERSON, EITHER IN THE U.S. OR ABROAD, WITHOUT PROPER AUTHORIZATION BY THE U.S. DEPARTMENT OF COMMERCE.



PRINT NOT ON AUTOMATIC DISTRIBUTION
 VERIFY REVISION PRIOR TO USE

ALL PAGES ARE OF ORIGINAL ISSUE (A) EXCEPT AS NOTED	DRN BY	NAME	DATE
	CHK BY	RS	8/17/2020
UNLESS OTHERWISE SPECIFIED DIMENSIONS ARE IN INCHES TOLERANCES ON	APPROVED BY		
	PROJ ENGR	Joseph Buonaiuto	8/18/2020
	ENG SECT	Joseph Buonaiuto	8/18/2020
	Q.A.	R. Zalewski	8/18/2020
DECIMALS .X±.1 .XX±.01 .XXX±.005	ANGLES ±0~30'		
PROJECTION		CUST APPR	

narda MITEQ
 435 MORELAND RD HAUPPAUGE, NY 11788

**WR42 LNA OUTLINE
 AFSWG5-RAYA5278719-2**

SIZE	CODE INCDENT	DRAWING NUMBER	REV
A	99899	225702	A
SCALE	REF	SHEET	OF
1:1		1	1