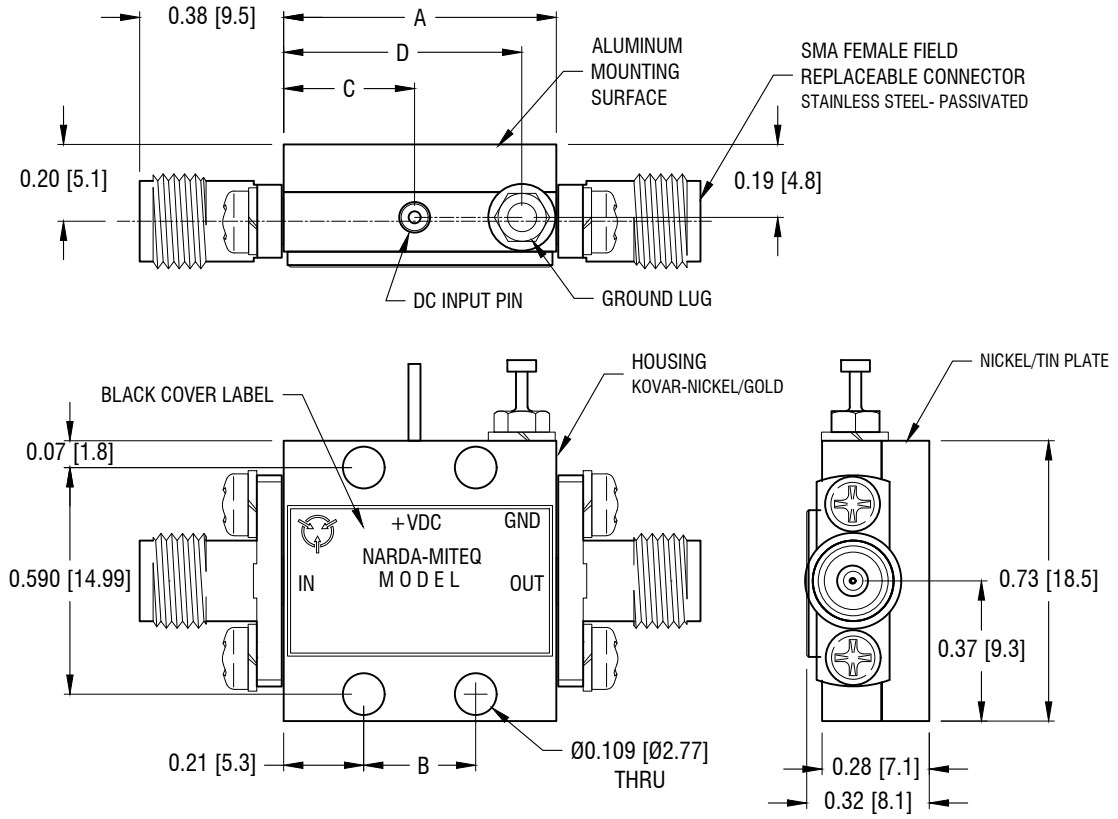


DASH NO.	APPLICATION		REVISIONS			
	NEXT ASSY	USED ON	LTR	DESCRIPTION	DATE	APPROVED
			B	Incorporate ECN 38404	03/30/17	J.Bovaird
PRINT NOT ON AUTOMATIC DISTRIBUTION VERIFY REVISION PRIOR TO USE						



OUTLINE	HOUSING	DIM "A"	DIM "B"	DIM "C"	DIM "D"
217304-1	170722	.71 [18.0]	.292 [7.42]	.34 [8.6]	.62 [15.7]
217304-2	170721	.89 [22.6]	.473 [12.01]	.52 [13.2]	.80 [20.3]
217304-3	171235 215729	1.07 [27.2]	.654 [16.61]	.70 [17.8]	.99 [25.1]

Narda-MITEQ PROPRIETARY
 THIS DOCUMENT CONTAINS INFORMATION WHICH IS PROPRIETARY TO Narda-MITEQ. THE CONTENTS SHALL NOT BE DISCLOSED, COPIED, DISTRIBUTED, OR USED UNLESS AUTHORIZED BY AN OFFICER OF Narda-MITEQ.

THESE ITEM(S)/TECHNOLOGY CONTAIN INFORMATION SUBJECT TO U.S. GOVERNMENT EXPORT CONTROL IN ACCORDANCE WITH THE EXPORT ADMINISTRATION REGULATIONS (EAR), 15 CFR PARTS 730-744. EXPORT OF THIS DATA TO ANY FOREIGN COUNTRY OR DISCLOSURE OF THIS DATA TO ANY NON-US PERSON MAY BE A VIOLATION OF FEDERAL LAW.

UNLESS OTHERWISE SPECIFIED DIMENSIONS ARE IN INCHES TOLERANCES ON	NAME	DATE
	DWN <i>RSyed</i>	01/18/17
	DFT DES <i>J.Bovaird</i>	03/30/17
	PROJ ENGR <i>R. Syed</i>	03/30/17
PROJECTION	MFG ENGR	
	Q.C.	
	CUST	

narda MITEQ
 435 MORELAND RD HAUPPAUGE, NY 11788

AMF HERMETIC AMPLIFIER

SIZE	CODE IDENT. NO.		REV
A	99899	217304	B
SCALE	PROJECT	SHEET	1 OF 1