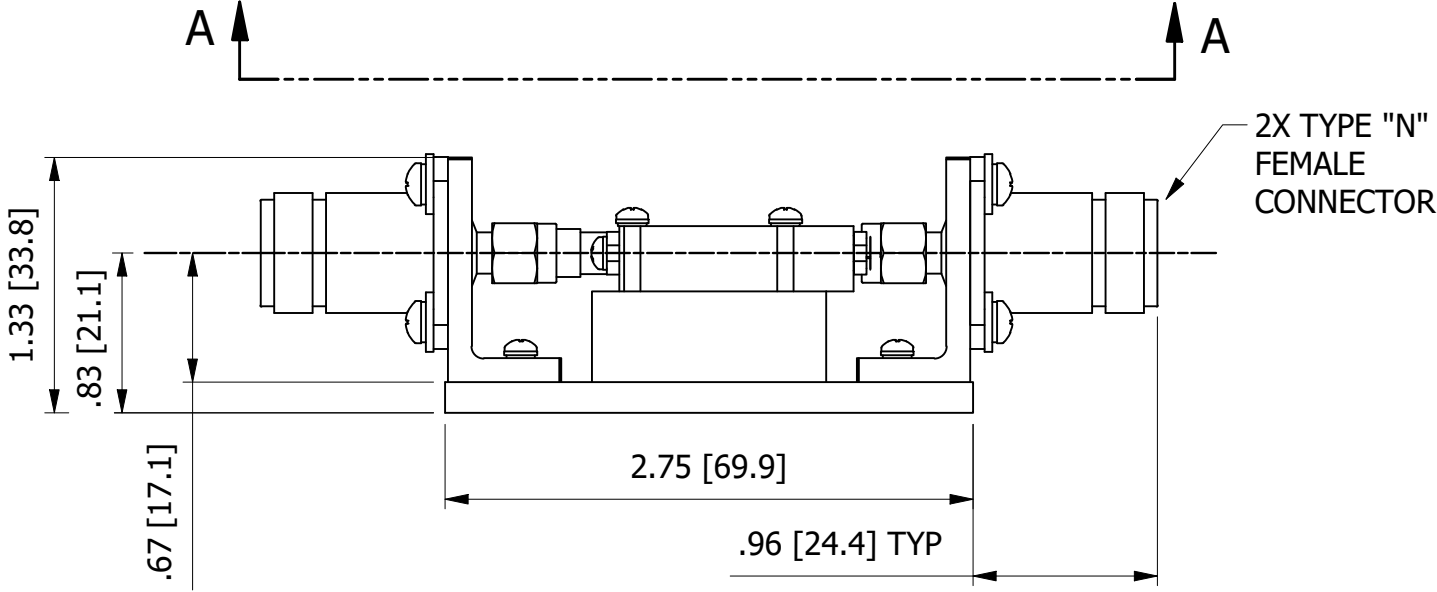
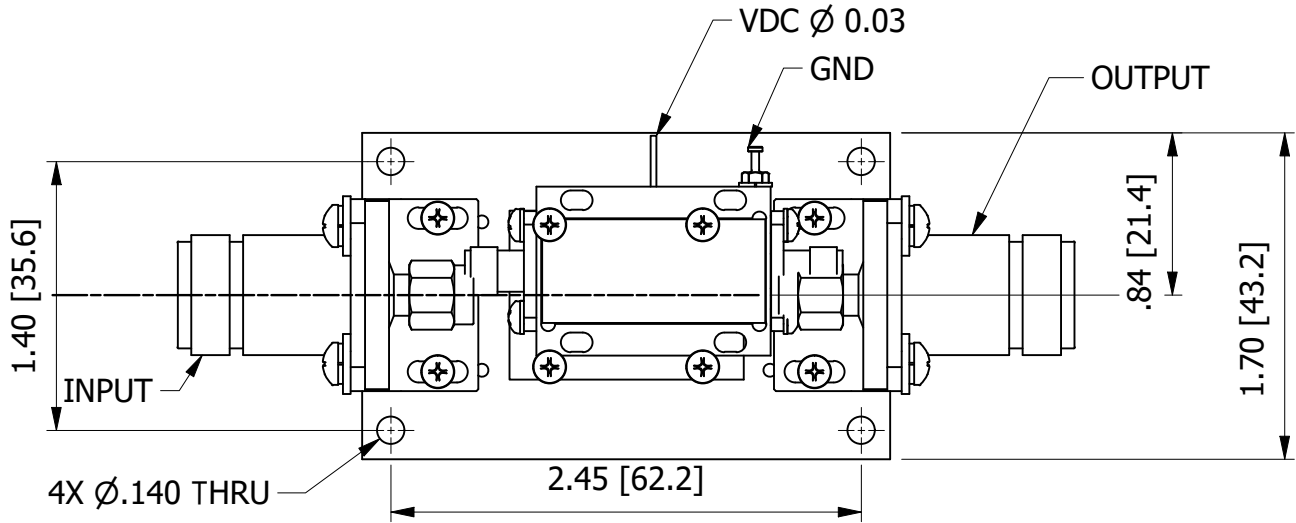


2		1			
APPLICATION		REVISIONS			
NEXT ASSY	USED ON	LTR	DESCRIPTION	DATE	APPROVED
REF - 205029		1	Preliminary Release	8/8/2016	



PRINT NOT ON AUTOMATIC DISTRIBUTION VERIFY REVISION PRIOR TO USE

THIS TECHNICAL DATA IS CONTROLLED UNDER THE EXPORT ADMINISTRATION REGULATIONS (EAR) AND MAY NOT BE EXPORTED TO A FOREIGN PERSON, EITHER IN THE U.S. OR ABROAD, WITHOUT PROPER AUTHORIZATION BY THE U.S. DEPARTMENT OF COMMERCE.

Narda-MITEQ PROPRIETARY
THIS DOCUMENT CONTAINS INFORMATION WHICH IS PROPRIETARY TO Narda-MITEQ. THE CONTENTS SHALL NOT BE DISCLOSED, COPIED, DISTRIBUTED OR USED UNLESS AUTHORIZED BY AN OFFICER OF Narda-MITEQ.

ALL PAGES ARE OF ORIGINAL ISSUE (A) EXCEPT AS NOTED	DRN BY	NAME	DATE
		<i>J. Bovaird</i>	8/8/2016
UNLESS OTHERWISE SPECIFIED DIMENSIONS ARE IN INCHES TOLERANCES ON	CHK BY	APPROVED BY	
	PROJ ENGR		
	ENG SECT	<i>james k TerVeen</i>	8/11/2016
	Q.A.		
DECIMALS .X±.1 .XX±.01 .XXX±.005	ANGLES ±0~30'		
PROJECTION		CUST APPR	

narda MITEQ
435 MORELAND RD HAUPPAUGE, NY 11788

OUTLINE AMF-4D-00500400-17-13P-N

SIZE	CODE INDENT	DRAWING NUMBER	REV
A	99899	216415	1
SCALE	REF	SHEET 1 OF 1	