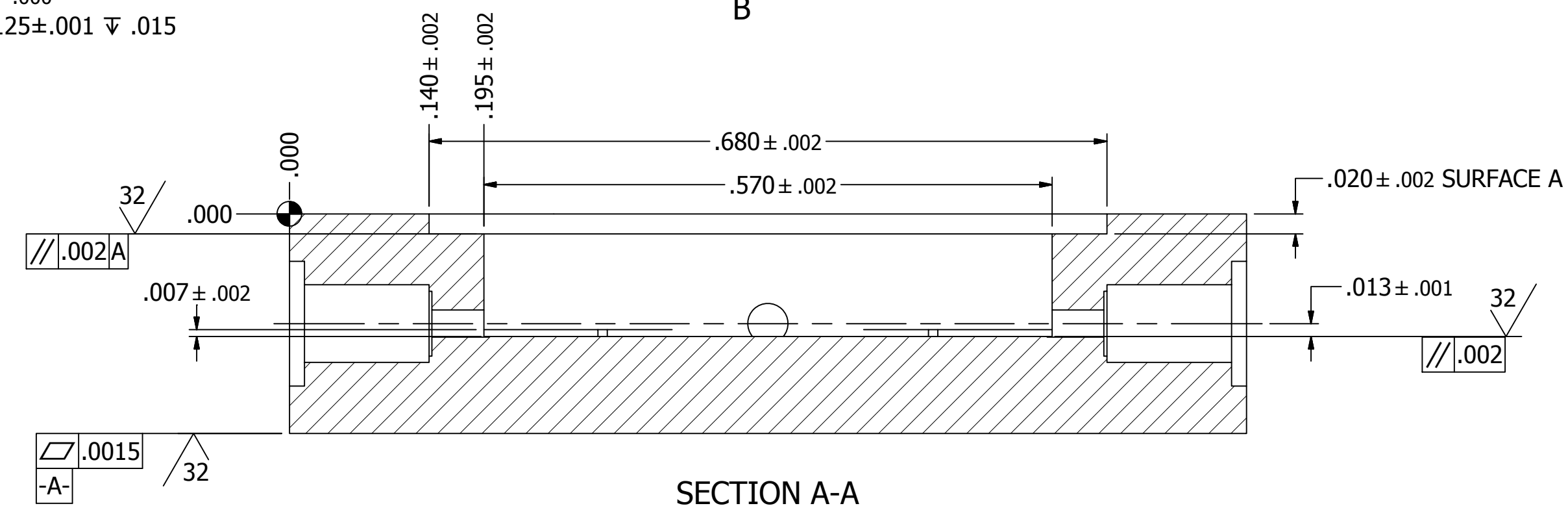
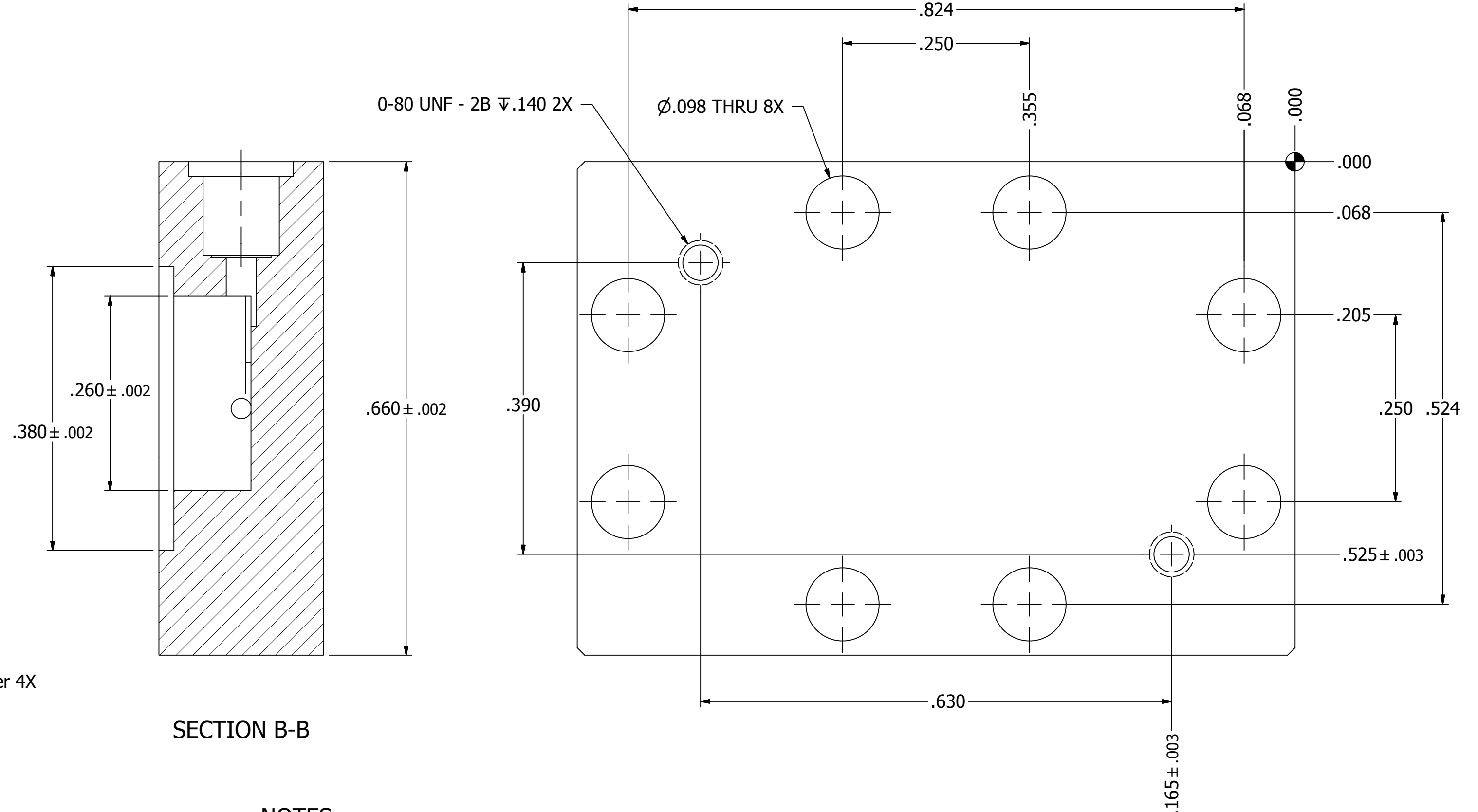
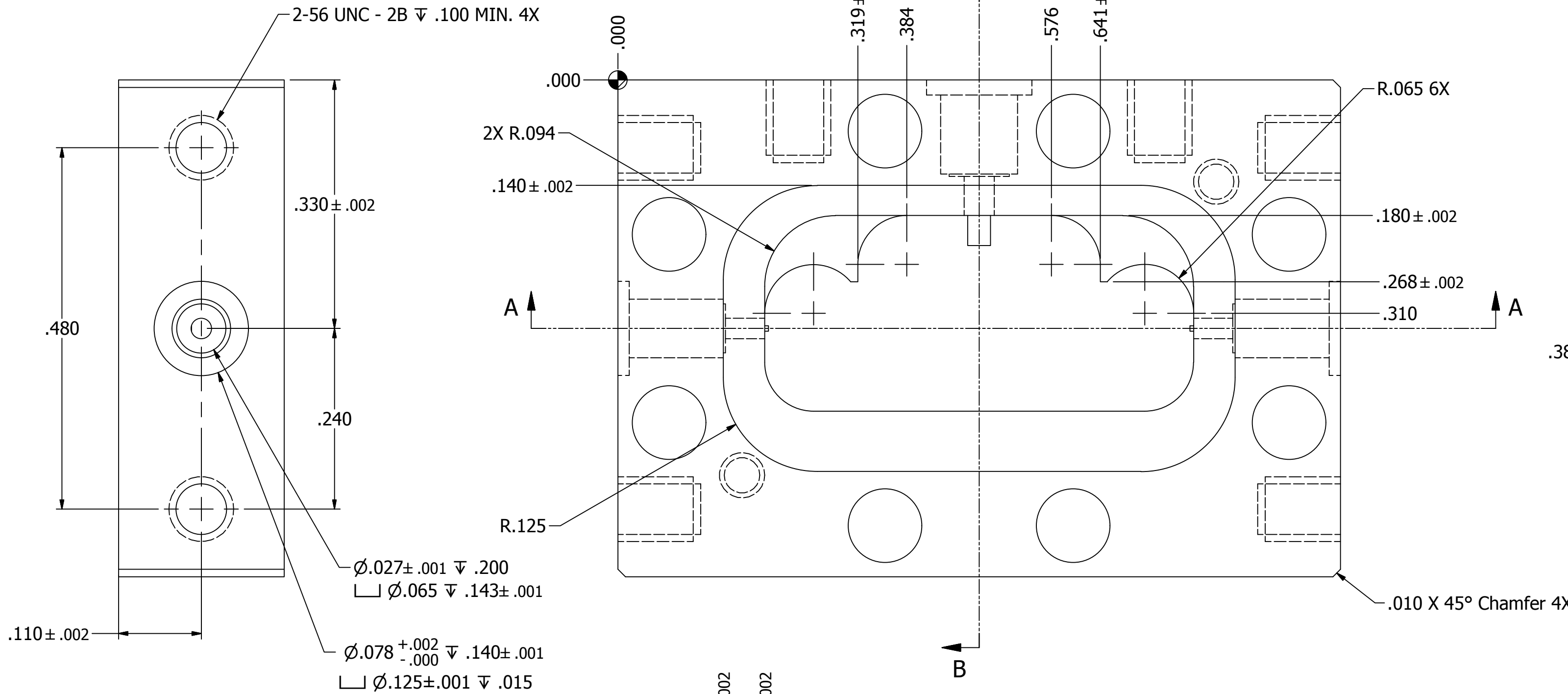
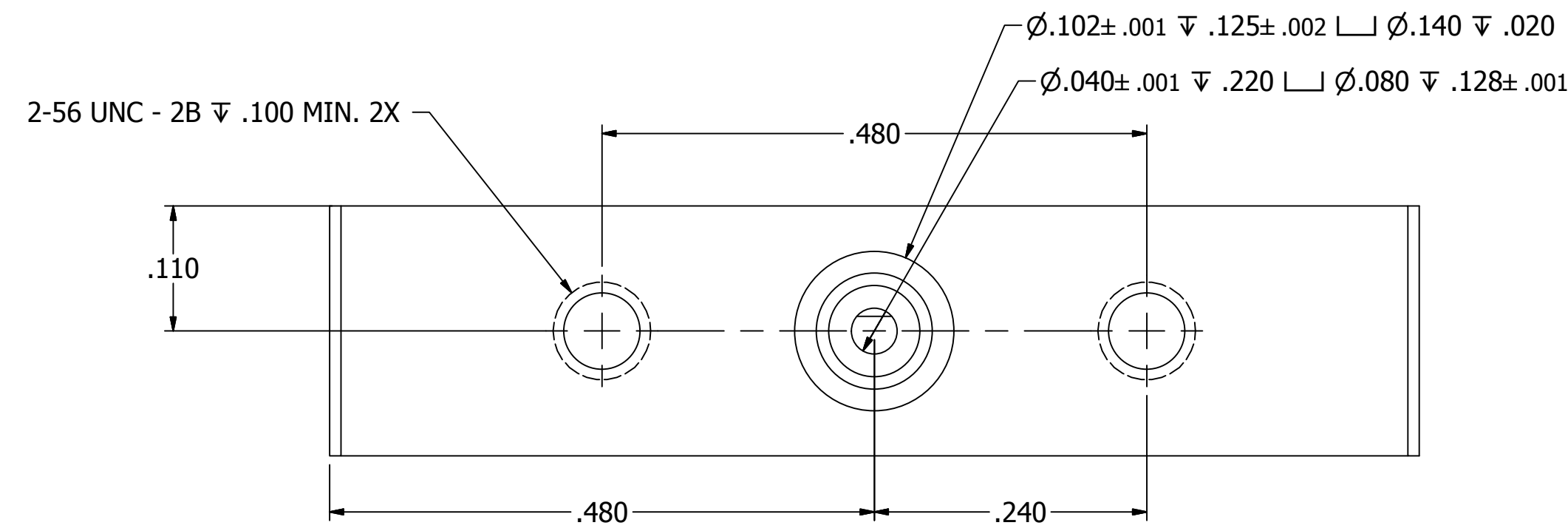
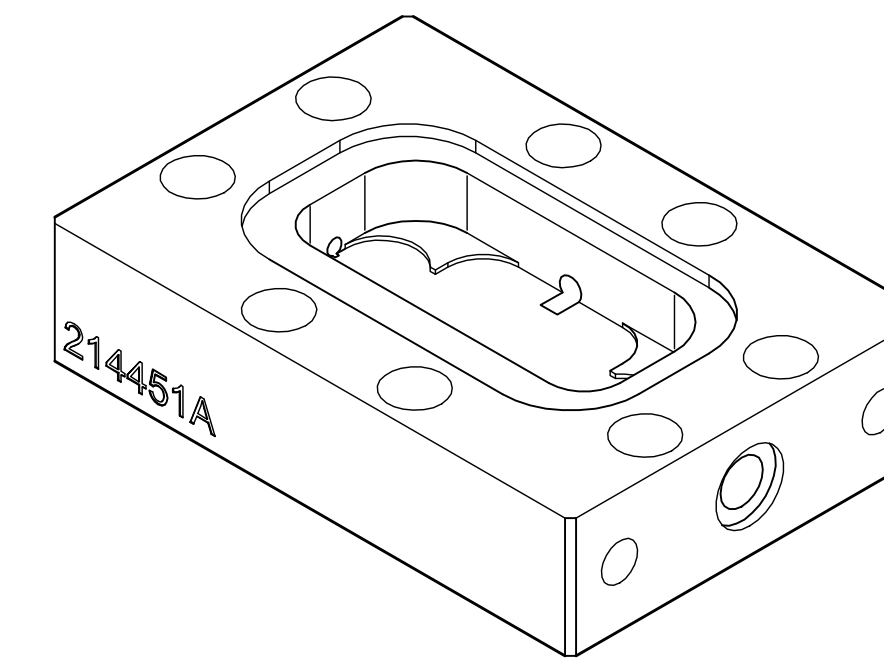


REVISIONS				
ZONE	LTR	DESCRIPTION	DATE	APPROVED
	A	INITIAL RELEASE	9/10/2015	



**NOTES**

- MATERIAL, ALUMINUM ALLOY 6061-T6
- ALL DIMENSIONS ARE TAKEN AFTER PLATING, SODIUM ZINCATE ELECTROLESS NICKEL PER ASTM B 733, TYPE IV, CLASS 5, .0002"-.0004" THICK GOLD PER ASTM B 488, TYPE III, CODE A, .00005"-.00008" THICK
- THIS PARTS MATERIAL AND FINISH MUST COMPLY WITH RoHS REGULATIONS AS PER DIRECTIVE 2002/95/EC OF THE EUROPEAN PARLIAMENT AND OF THE COUNCIL OF 27 JANUARY 2003 ON THE RESTRICTION OF THE USE OF CERTAIN HAZARDOUS SUBSTANCES
- NO MISSING GOLD PLATING ON HOUSING PERMISSABLE, EXCEPTION FOR BLIND THREADED HOLES, MISSING PLATING PERMISSABLE
- HOUSING TO BE FREE OF SIGNIFICANT BURRS (>.001)
- NO MARKINGS PERMITTED ON BOTTOM SURFACE. LASER MARK OR MECHANICAL SCRIBE PART NUMBER AND REVISION LEVEL NUMBER USING .04-.05 HIGH CHARCTERS. MARKING TO EXCLUDE PREFIX CHARACTERS P/N
- RF CAVITY VOLUME : 0.240 cc. ESTIMATED WEIGHT 4.5 GRAMS
- REFERENCE PRIMARY OUTLINE 154709, USE COVER 214455, BASE PLATE 214463 OR 118206.
- RF FEED THRS MP-1604 Ø12 MIL AND MP-1212 (Ø12) OR MP-1867 (Ø15)

UNLESS OTHERWISE SPECIFIED DIMENSIONS ARE IN INCHES TOLERANCES ON DECIMAL ANGLES .XX±.01 .XXX±.005 ± 0'30'		DRN BY: <i>B. Wender</i> NAME: DATE: 9/10/2015	 100 Davids Drive, Hauppauge, New York 11788	
MATERIAL: SEE NOTES		CHKD BY: DATE: 9/23/2015		
FINISH: SEE NOTES		APPROVED BY:		<b>LCA/AWS AMPLIFIER HOUSING</b> <b>STANDARD ALUMINUM</b>
NEXT ASSY: USED ON:		PROJ ENGR: <i>B. Wender</i> DATE: 9/24/2015	SIZE: <b>D</b> CODE INDET.: <b>33592</b> DRAWING NUMBER: <b>214451</b> REV: <b>A</b>	
APPLICATION: HEAT TREAT		ENG SECT: <i>J. Torveen</i> DATE: 9/24/2015	SCALE: 8:1 REF: SHEET 1 OF 1	
		Q.A.:		
		CUST:		
		INVENTOR FILE: 214451.dwg, 214451.ipt		