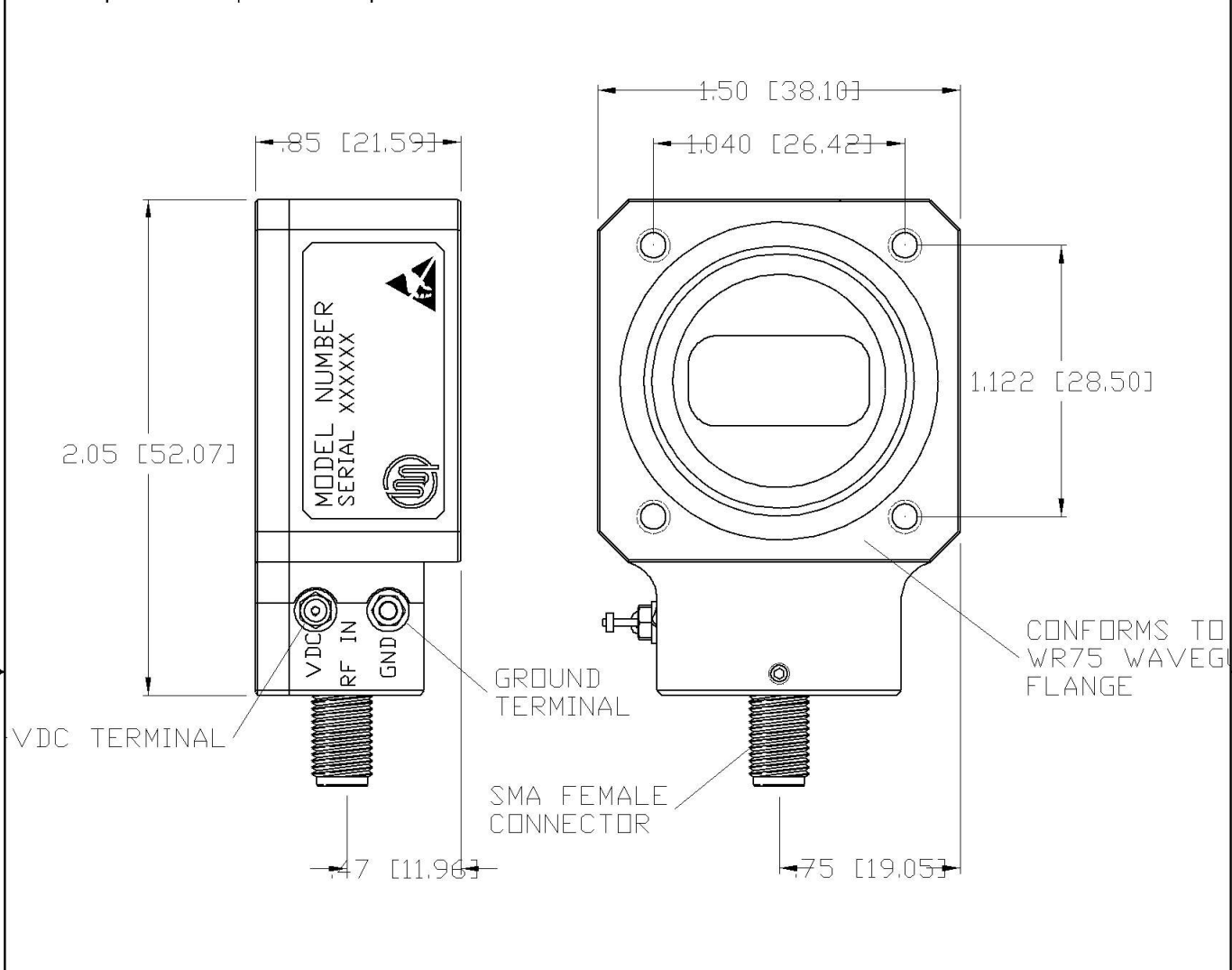


DASH NO.	APPLICATION		REVISIONS			
	NEXT ASSY	USED ON	LTR	DESCRIPTION	DATE	APPROVED
			1	Initial Release	08/12/14	



NOTES

1. DIMENSIONS IN BRACKETS [ ] ARE IN MM
2. ALUMINUM ALLOY 6061-T6 TRIVALENT CHROMATE CONVERSION. INTERNAL AMPLIFIER KOVAR
3. MARKING MAY VARY AS PER CUSTOMER SPECIFICATIONS.

4. CHOKE FLANGE SHOWN WITH 6-32 FLANGE MOUNTING, OPTIONAL GASKET FLANGE, OR COVER FLANGE WITH  $\phi$ .154 THRU HOLES
5. BTO VERSION WITHOUT GROUND AND DC TERMINAL

UNLESS OTHERWISE SPECIFIED DIMENSIONS ARE IN INCHES TOLERANCES ON	NAME	DATE	 100 Davids Drive, Hauppauge, New York 11788		
	DWN RScherer	08/12/14			
DECIMAL .X $\pm$ 0.1 DECIMAL .XX $\pm$ 0.01 DECIMAL .XXX $\pm$ 0.005 ANGLES X° $\pm$ 30'	DFT DES		WR75 LNA RIGHT ANGLE SMA IN OR OUT OUTLINE		
PROJECTION	PROJ ENGR J. Decker	08/12/14			
ESD SENSITIVE 	MFG ENGR		SIZE	CODE IDENT. NO.	REV
	Q.C.		A	33592 212170	1
	CUST		SCALE	PROJECT	SHEET 1 1 OF