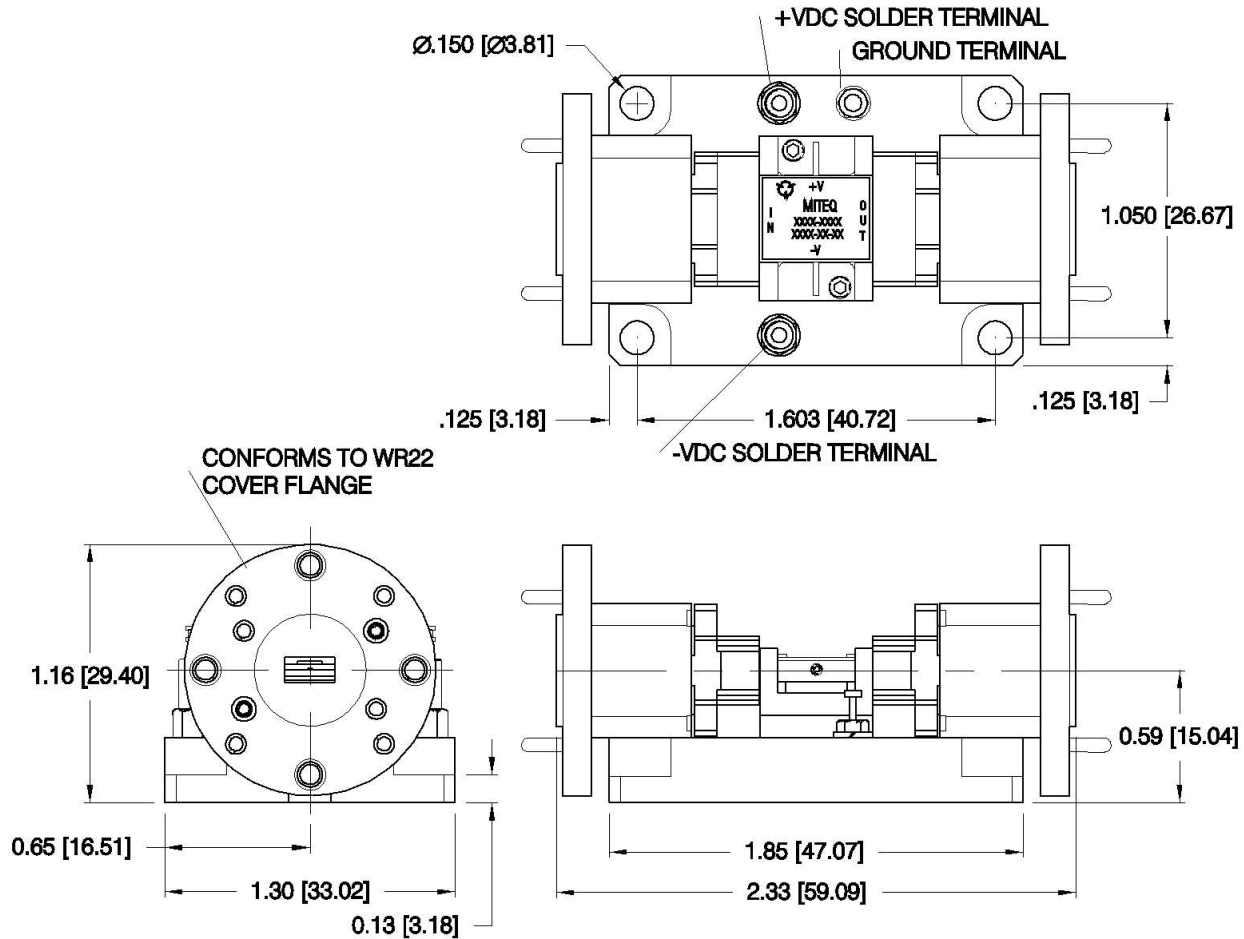


DASH NO.	APPLICATION		REVISIONS			
	NEXT ASSY	USED ON	LTR	DESCRIPTION	DATE	APPROVED
			A	Initial Release	04/23/13	<i>R. Scherer</i>



NOTES:
 1. DIMENSIONS IN BRACKETS ARE METRIC EQUIVALENT

UNLESS OTHERWISE SPECIFIED DIMENSIONS ARE IN INCHES TOLERANCES ON	NAME	DATE	 100 Davids Drive, Hauppauge, New York 11788			
	DWN <i>R. Scherer</i>	04/23/13				
DECIMAL .X ±0.1 [2.5] DECIMAL .XX ±0.01 [0.25] DECIMAL .XXX ±0.005 [0.13] ANGLES X° ±30°	DFT DGN <i>R. Scherer</i>	04/23/13	JP1 AMPLIFIER WITH WR22 IN AND OUT OUTLINE			
	PROJ ENGR <i>J. Decker</i>	04/23/13				
 ESD SENSITIVE	MFG ENGR		SIZE	CODE IDENT. NO.		REV
	Q.C.		A	33592	208431	A
	CUST		SCALE	PROJECT	SHEET	OF