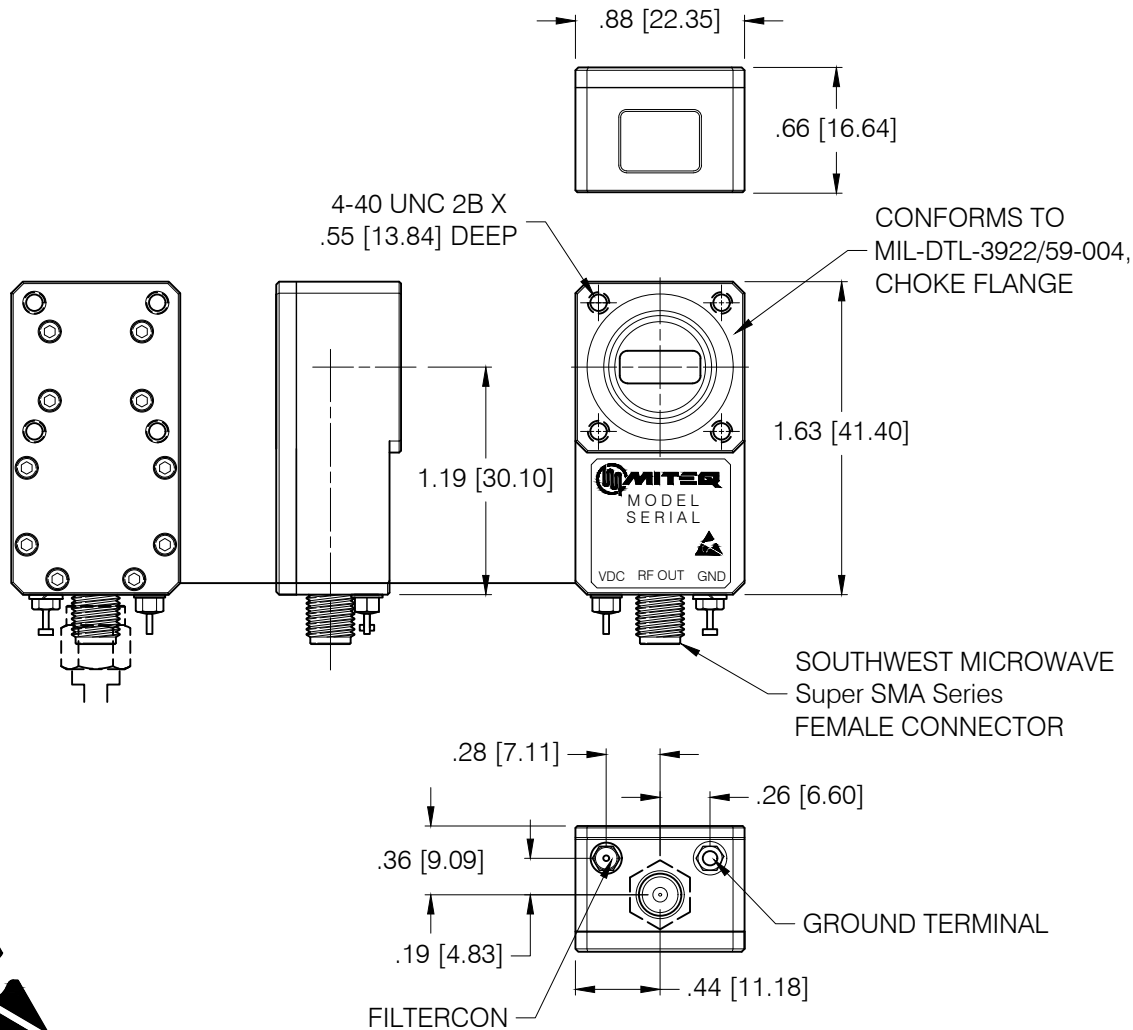


DASH NO.	APPLICATION		REVISIONS			
	NEXT ASSY	USED ON	LTR	DESCRIPTION	DATE	APPROVED
	207129-1		C	Incorporate ECN 36723	09/01/16	rs
PRINT NOT ON AUTOMATIC DISTRIBUTION VERIFY REVISION PRIOR TO USE						



THESE ITEM(S)/TECHNOLOGY CONTAIN INFORMATION SUBJECT TO U.S. GOVERNMENT EXPORT CONTROL IN ACCORDANCE WITH THE EXPORT ADMINISTRATION REGULATIONS (EAR), 15 CFR PARTS 730-744. EXPORT OF THIS DATA TO ANY FOREIGN COUNTRY OR DISCLOSURE OF THIS DATA TO ANY NON-US PERSON MAY BE A VIOLATION OF FEDERAL LAW.

Narda-MITEQ PROPRIETARY

THIS DOCUMENT CONTAINS INFORMATION WHICH IS PROPRIETARY TO Narda-MITEQ. THE CONTENTS SHALL NOT BE DISCLOSED, COPIED, DISTRIBUTED, OR USED UNLESS AUTHORIZED BY AN OFFICER OF Narda-MITEQ.

NOTES:

1. DIMENSIONS IN BRACKETS ARE METRIC EQUIVALENT
2. MATERIAL & FINISH: ALUMINUM WITH TRIVALENT CHROMATE CONVERSION
3. ESTIMATED WIEGHT 38 GRAMS

UNLESS OTHERWISE SPECIFIED DIMENSIONS ARE IN INCHES TOLERANCES ON	NAME	DATE
	DECIMAL .X ±0.1 [2.5] DECIMAL .XX ±0.01 [0.25] DECIMAL .XXX ±0.005 [0.13] ANGLES X° ±30'	DWN <i>JDecker</i>
PROJECTION	DFT DES <i>rs</i>	07/31/17
	PROJ ENGR <i>Joseph Buonaiuto</i>	06/08/17
	MFG ENGR	
	Q.C.	
	CUST	



435 MORELAND RD HAUPPAUGE, NY 11788

**Ka BAND WAVEGUIDE LNA
RA STANDARD WR42/CHOKE FLANGE
OUTLINE**

SIZE	CODE IDENT. NO.	REV
A	99899	C
SCALE	PROJECT	SHEET 1 OF 1