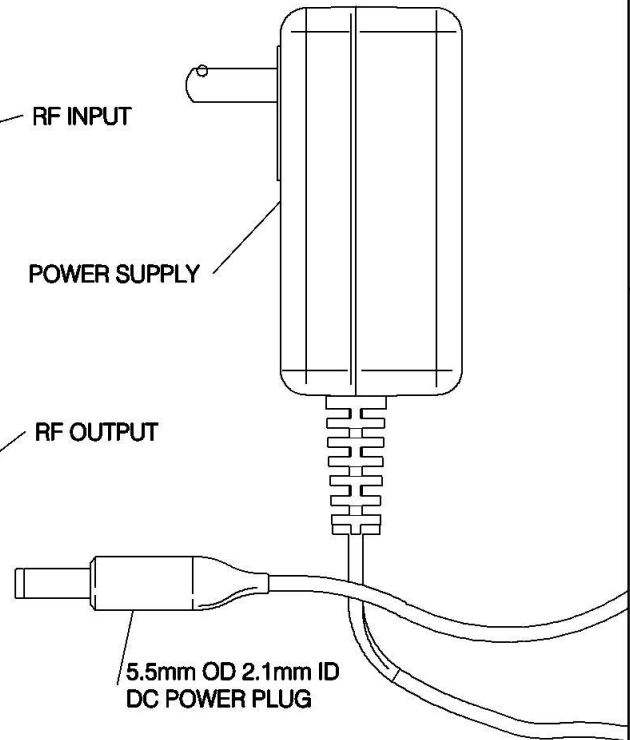
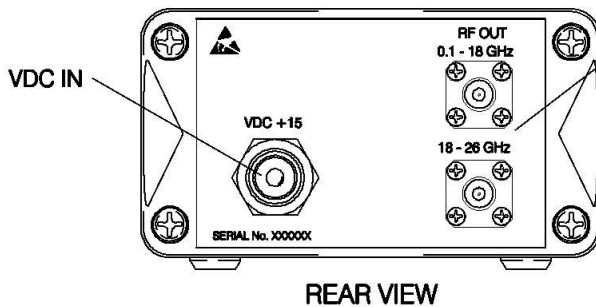
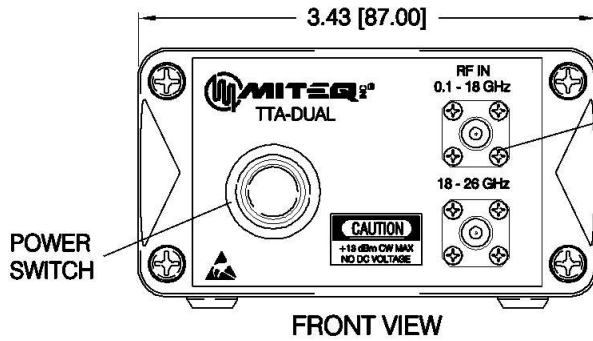
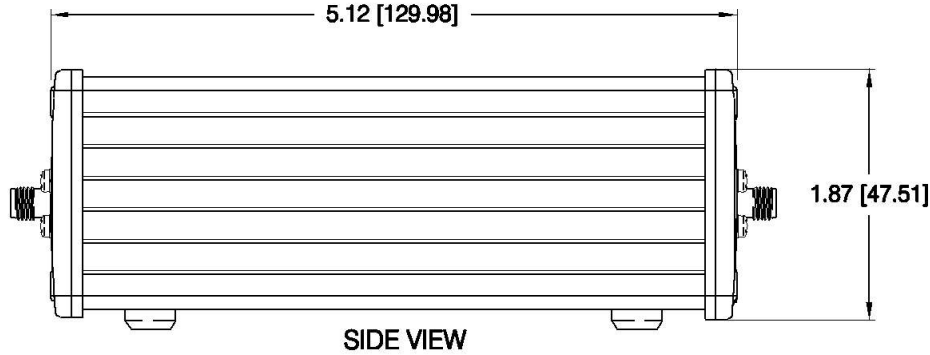


DASH NO.	APPLICATION		REVISIONS			
	NEXT ASSY	USED ON	LTR	DESCRIPTION	DATE	APPROVED
			A	Initial Release	12/27/12	<i>R. Scherer</i>



UNLESS OTHERWISE SPECIFIED DIMENSIONS ARE IN INCHES TOLERANCES ON DECIMAL .X ±0.1 DECIMAL .XX ±0.01 DECIMAL .XXX ±0.005 ANGLES X° ±30°	NAME	DATE	100 Davids Drive, Hauppauge, New York 11788 TTA-DUAL SERIES OUTLINE		
	DWN <i>R. Scherer</i>	12/27/12			
	DFT DES <i>R. Scherer</i>	03/08/13			
	PROJ ENGR <i>N. Prabh</i>	03/08/13		SIZE	CODE IDENT. NO.
ESD SENSITIVE	MFG ENGR		A	33592	A
	Q.C.		207360		
	CUST		SCALE	PROJECT	SHEET