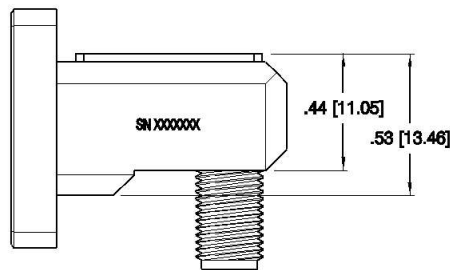
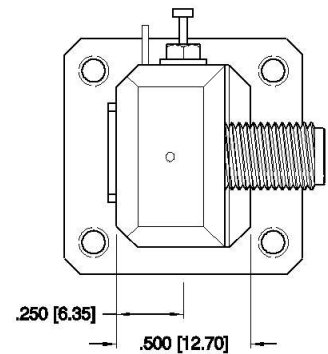
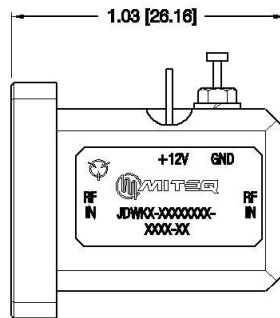
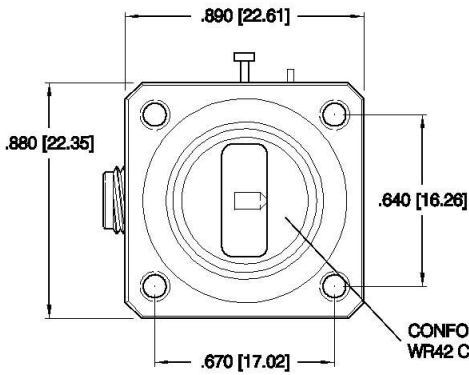
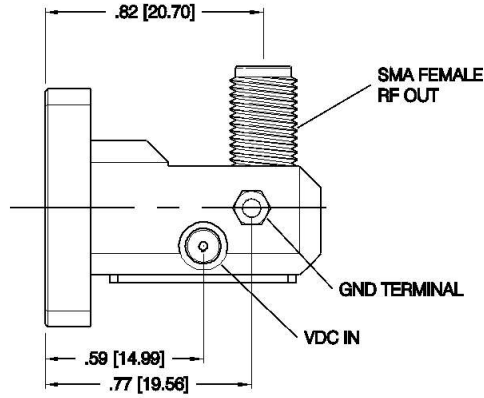


DASH NO.	APPLICATION		REVISIONS			
	NEXT ASSY	USED ON	LTR	DESCRIPTION	DATE	APPROVED
			A	Initial Release	03/19/12	<i>R. Scherer</i>



UNLESS OTHERWISE SPECIFIED DIMENSIONS ARE IN INCHES TOLERANCES ON	NAME	DATE	 100 Davids Drive, Hauppauge, New York 11788			
	DWN <i>R. Scherer</i>	03/19/12				
DECIMAL .X ±0.1 DECIMAL .XX ±0.01 DECIMAL .XXX ±0.005 ANGLES X° ±30°	DFT DES <i>R. Scherer</i>	03/29/13	<b>WR42 IN SMA OUT RIGHT ANGLE CHOKE FLANGE</b>			
	PROJ ENGR <i>J. Decker</i>	08/21/12				
	MFG ENGR		SIZE	CODE IDENT. NO.		REV
	Q.C.		A	33592	204392	A
	CUST		SCALE	PROJECT	SHEET	OF
						1