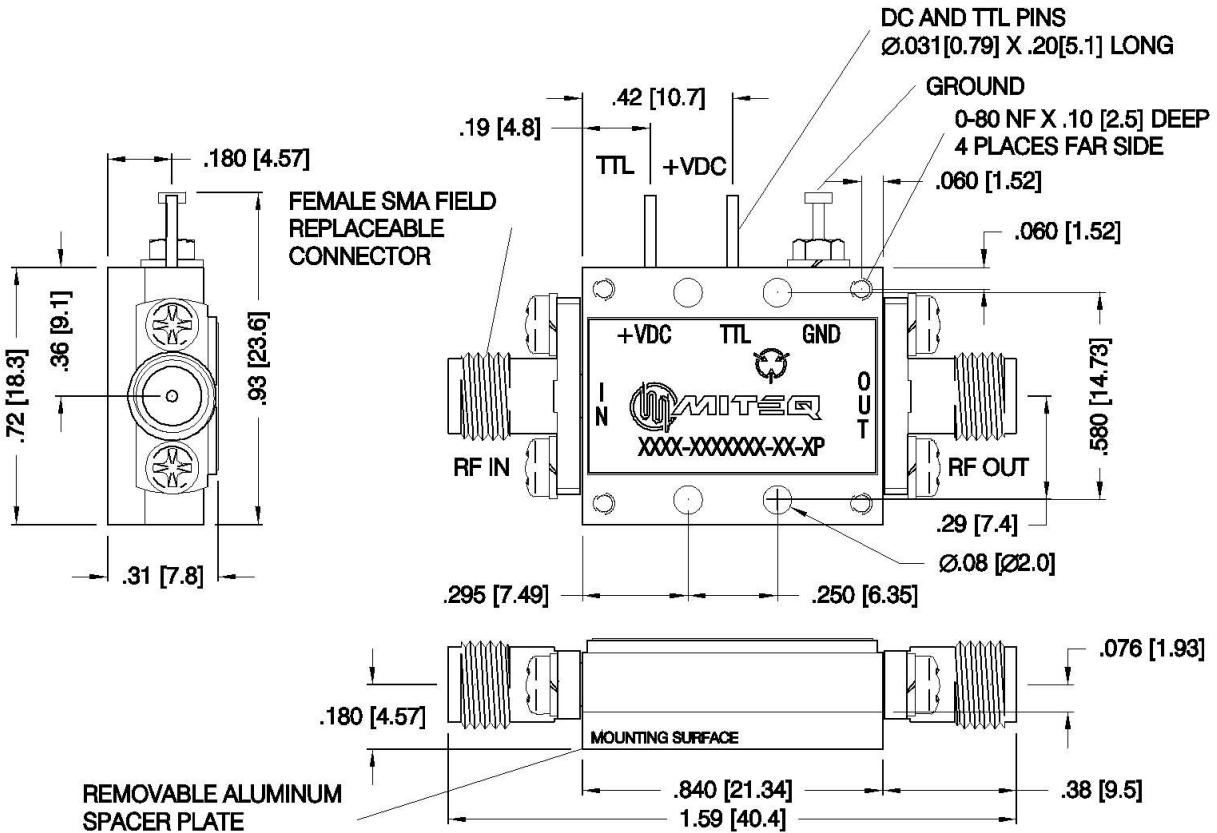


DASH NO.	APPLICATION		REVISIONS			
	NEXT ASSY	USED ON	LTR	DESCRIPTION	DATE	APPROVED
			A	Initial Release	12/10/10	<i>R. Scherer</i>
	HOUSING BASE PLATE	197932 149178				



UNLESS OTHERWISE SPECIFIED DIMENSIONS ARE IN INCHES TOLERANCES ON DECIMAL .X ±0.1 DECIMAL .XX ±0.01 DECIMAL .XXX ±0.005 ANGLES X° ±30°	NAME	DATE	100 Davids Drive, Hauppauge, New York 11788		
	DWN BY <i>R. Scherer</i>	11/05/10			
	CHK BY <i>R. Scherer</i>	12/10/10	AMPLIFIER MPN3-02000400-25-25P-PGT OUTLINE		
	PROJ ENGR <i>J. Buonaiuto</i>	12/14/10			
	SECT HEAD		SIZE	CODE IDENT. NO.	REV
	Q.C.		A	33592	A
	CUST		SCALE	PROJECT	SHEET OF 1