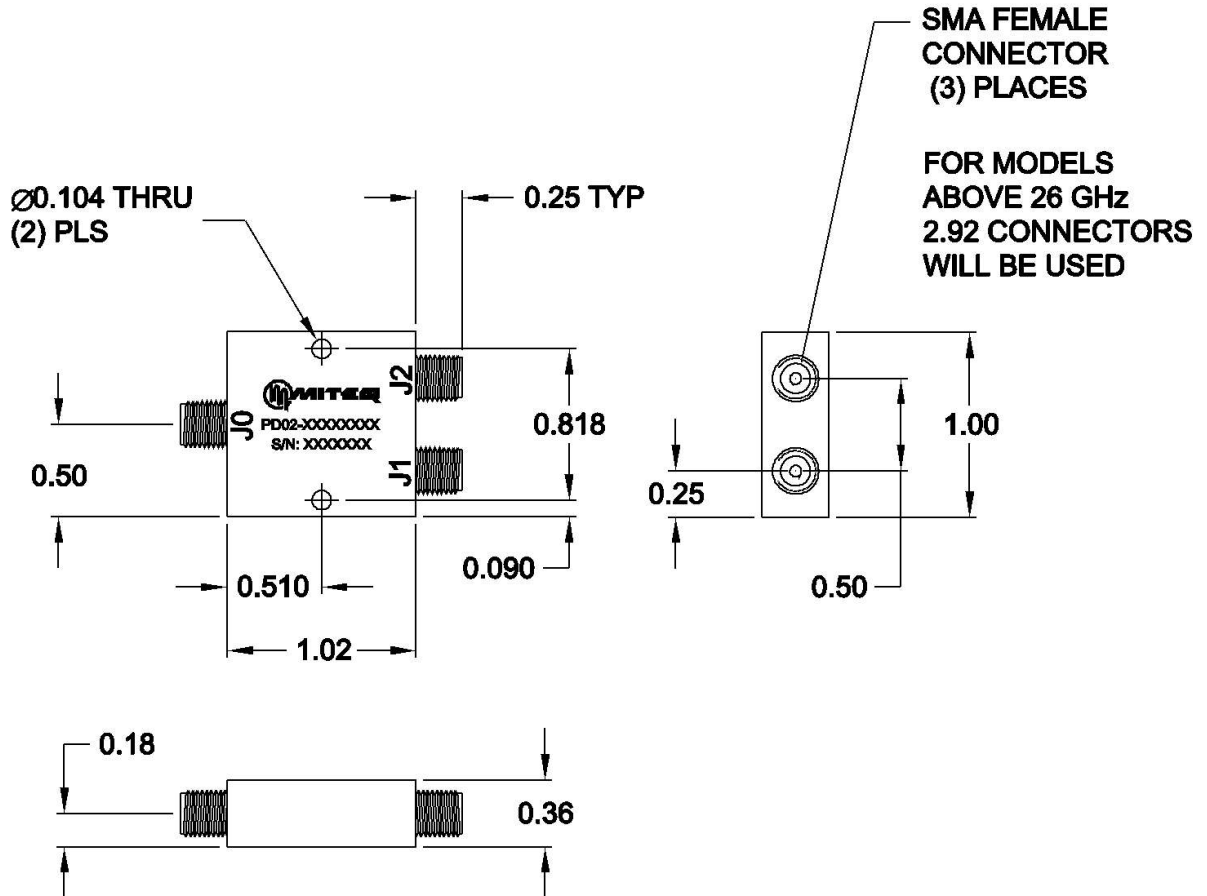


DASH NO.	APPLICATION		REVISIONS			
	NEXT ASSY	USED ON	LTR	DESCRIPTION	DATE	APPROVED
			B	Incorporated ECN 18060	11/08/10	J. Campisi



NOTES:

- 1. MATERIAL: ALUMINUM ALLOY 6061-T6.**
- 2. FINISH:**
SODIUM ZINCATE ELECTROLESS NICKEL .0002-.0004
MICRO-INCHES PER SAE AMC-C-26074B.

ALL PAGES ARE OF ORIGINAL ISSUE (A) EXCEPT AS NOTED.	CONTR. NO. 38POD77		100 Davids Drive, Hauppauge, New York 11788	
	PREP BY W. Davidsson	NAME W. Davidsson		DATE 09/02/10
<small>UNLESS OTHERWISE SPECIFIED DIMENSIONS ARE IN INCHES (MM) TOLERANCES ON DECIMAL ANGLES</small> <small>30±.01 50'30"</small> <small>300±.006</small>	CHKD BY J. Campisi	DATE 01/10/11	OUTLINE DRAWING 2-WAY POWER DIVIDER MICROSTRIP SERIES #3	
	PROJ ENGR W. Davidsson	DATE 01/10/11		SIZE A
	APPROVAL (PROJ)		CODE IDENT. NO. 33592	196999
	APPROVAL (GOVT)		SCALE	REV. B SHEET 1 OF 1