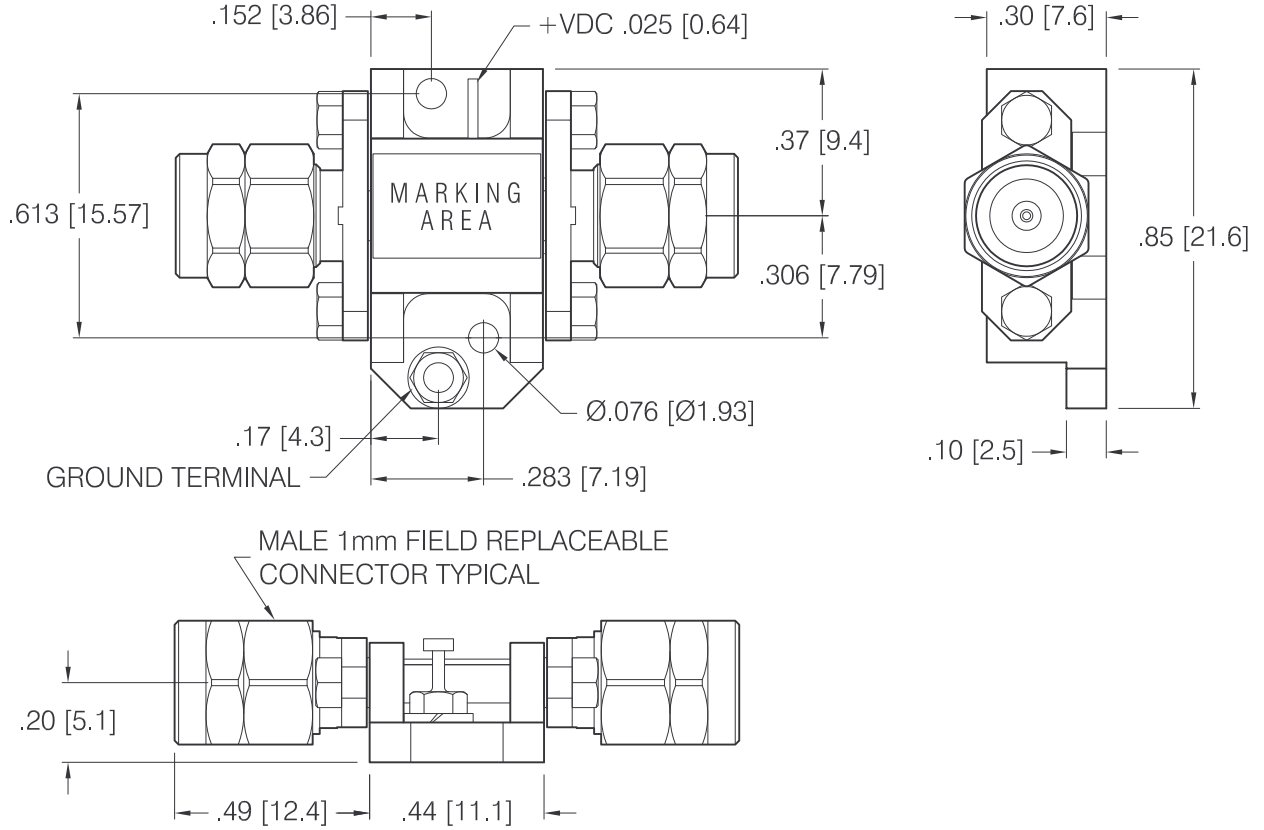




DASH NO.	APPLICATION		REVISIONS			
	NEXT ASSY	USED ON	LTR	DESCRIPTION	DATE	APPROVED
			A	Initial Release	12/17/09	



NOTES:

1. DIMENSIONS IN BRACKETS ARE MILLIMETER EQUIVALENTS, TOLERANCES AS FOLLOWS
 .XX = ±.01 [.XX = ± .25mm]
 .XXX = ±.005 [.XXX = ±.13mm]

UNLESS OTHERWISE SPECIFIED DIMENSIONS ARE IN INCHES TOLERANCES ON	NAME	DATE	 100 Davids Drive, Hauppauge, New York 11788			
	DWN <i>R. Scherer</i>	12/17/09				
DECIMAL .X ±0.1 DECIMAL .XX ±0.01 DECIMAL .XXX ±0.005 ANGLES X° ±30'	DFT DES		JSD PACKAGE WITH 1MM MALE CONNECTOR OUTLINE			
PROJ ENGR <i>J. Decker</i>	12/17/09					
	MFG ENGR		SIZE	CODE IDENT. NO.	193080	REV
	Q.C.		A	33592		A
	CUST		SCALE 2:1	PROJECT	SHEET 1 OF 1	