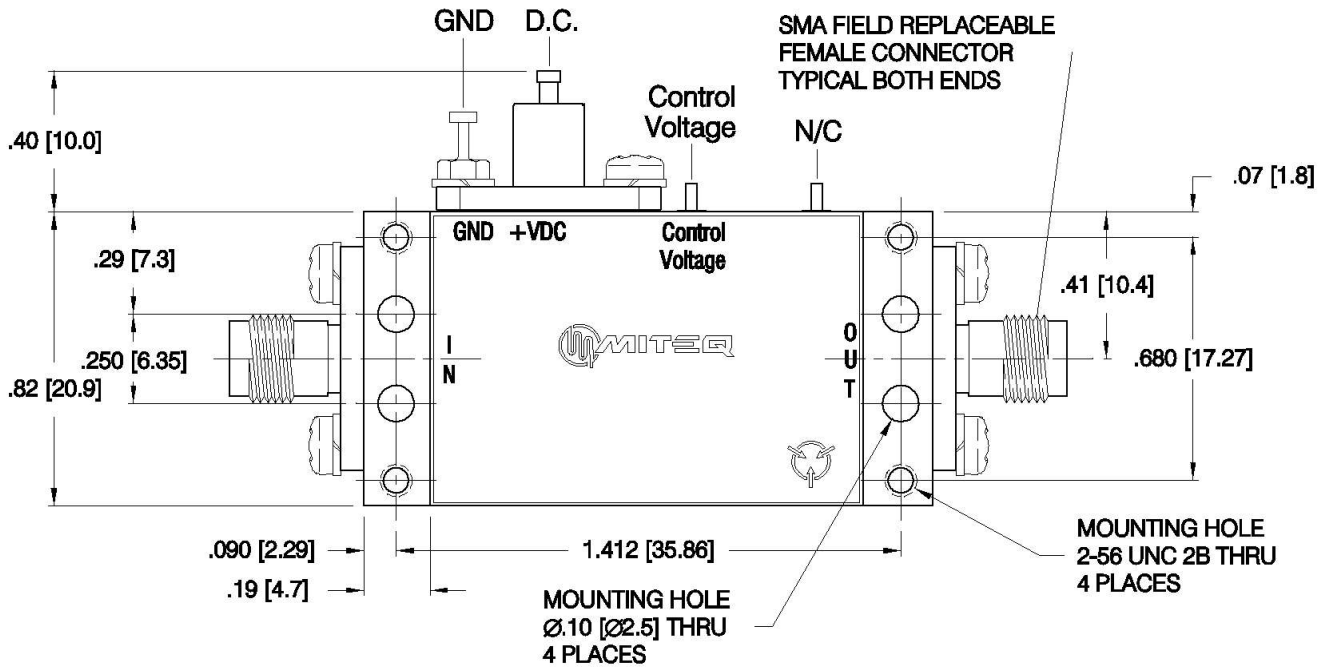
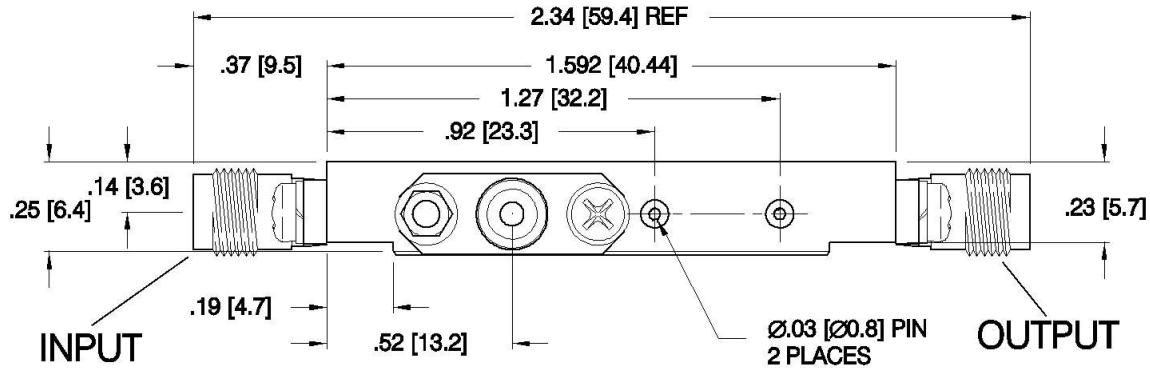


DASH NO.	APPLICATION		REVISIONS			
	NEXT ASSY	USED ON	LTR	DESCRIPTION	DATE	APPROVED
	HSG	132154	A	INITIAL RELEASE	10/06/09	<i>S. Bruarin</i>



NOTE

1. DIMENSIONS IN BRACKETS ARE METRIC EQUIVALENTS

SCALE: 2/1

UNLESS OTHERWISE SPECIFIED DIMENSIONS ARE IN INCHES TOLERANCES ON DECIMAL .XX ±.01 DECIMAL .XXX ±.005 ANGLES X° ±30'	NAME	DATE	100 Davids Drive, Hauppauge, New York 11788		
	DWN BY <i>E. Marty</i>	10/06/09			
	CHK BY <i>S. Bruarin</i>	10/08/09	OUTLINE, AMPLIFIER, AVG/ABIT TYPE		
	PROJ ENGR <i>N. Shaikh</i>	10/08/09			
	SECT HEAD				
Q.C.		SIZE <b>A</b>	CODE IDENT. NO. <b>33592</b>	<b>191840</b>	REV <b>A</b>
CUST		SCALE	PROJECT	SHEET	OF 1