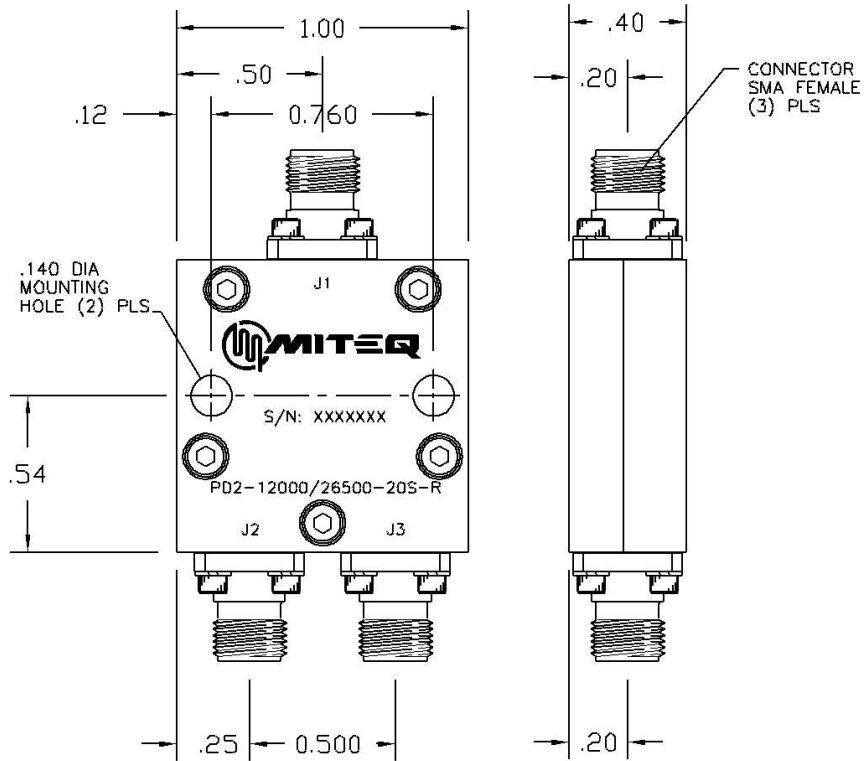



DASH NO.	APPLICATION		REVISIONS			
	NEXT ASSY	USED ON	LTR	DESCRIPTION	DATE	APPROVED
			A	RELEASE	09/17/09	B. Andrews



NOTES

1. TOLERANCES: .XX±.01 .XXX±.005
2. MATERIAL: ALUMINUM ALLOY 6061-T6
3. FINISH: ELECTROLESS NICKEL PLATED

ALL PAGES ARE OF ORIGINAL ISSUE (A) EXCEPT AS NOTED.	CONTR NO.		 100 Davids Drive, Hauppauge, New York 11788
	PREP BY	DATE	
	B. Andrews	09/17/09	
	CHKD BY	DATE	
	B. Andrews	09/17/09	
	PROJ ENGR	DATE	
	W. Davidsson	09/17/09	
	MFG ENGR		
	Q.A.		
	SIZE	CODE IDENT. NO.	
	A	33592	191593
	SCALE	REV.	A
			SHEET 1 OF 1