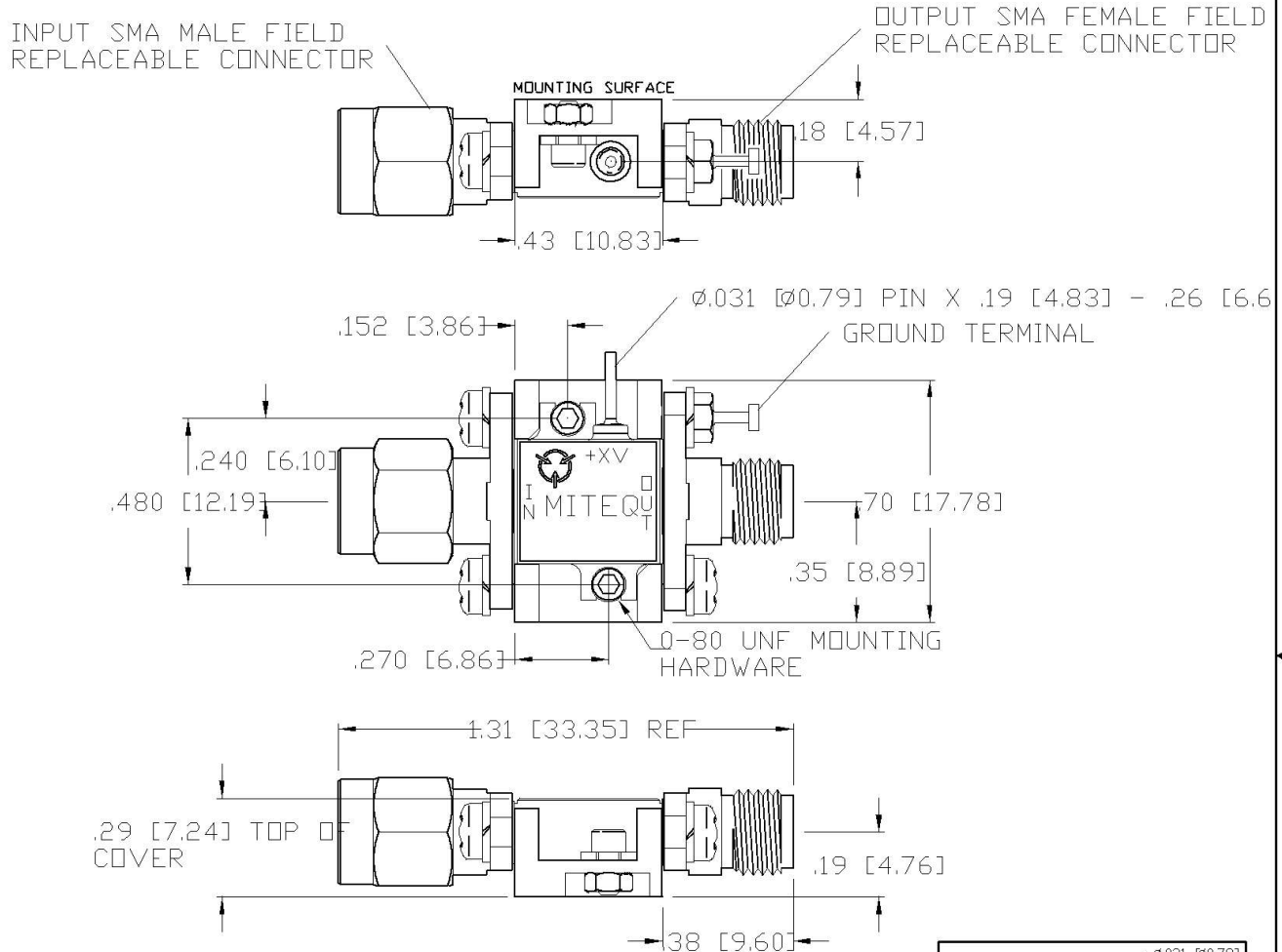


DASH NO.	APPLICATION		REVISIONS			
	NEXT ASSY	USED ON	LTR	DESCRIPTION	DATE	APPROVED
			A	Initial Release	01/30/15	RScherer



NOTES:
 1. DIMENSIONS IN BRACKET ARE METRIC EQUIVALENTS SEE LEGEND.
 2. MARKING MAY VARY AS PER CUSTOMER SPECIFICATIONS.
 3. EXISTING 0-80 MOUNTING HARDWARE CAN BE REPLACED WITH LONGER SCREWS FOR MOUNTING.

UNLESS OTHERWISE SPECIFIED DIMENSIONS ARE IN INCHES TOLERANCES ON DECIMAL .X ±0.1 [2.5] DECIMAL .XX ±0.01 [0.25] DECIMAL .XXX ±0.005 [0.13] ANGLES X° ±30'	NAME	DATE	100 Davids Drive, Hauppauge, New York 11788 AFS SERIES 2 AMPLIFIER WITH MALE INPUT OUTLINE			
	DWN	RScherer				08/25/09
	CHK BY	RScherer				01/30/15
	PROJ ENDR	Buonaiuto				01/30/15
D SENSITIVE 	SECT HEAD		SIZE	CODE IDENT. NO.	REV	
	Q.C.		A	33592 191226	A	
	CUST		SCALE	PROJECT	SHEET 1 1 OF	