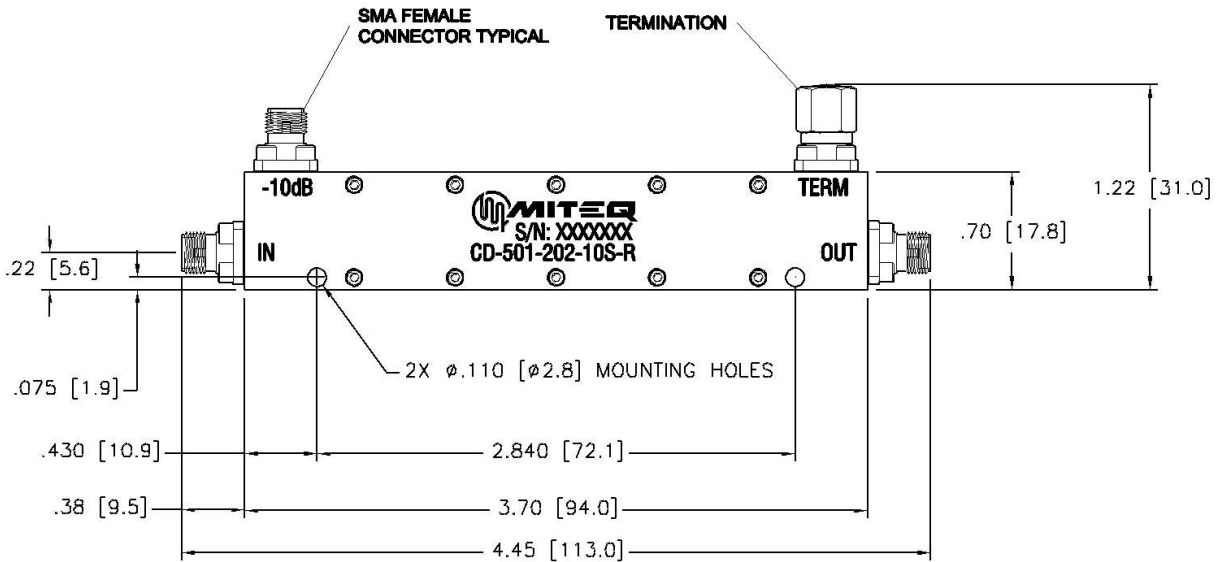
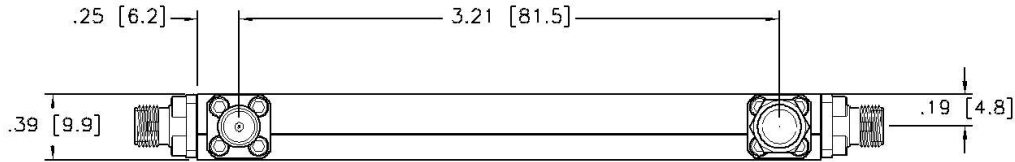


DASH NO.	APPLICATION		REVISIONS			
	NEXT ASSY	USED ON	LTR	DESCRIPTION	DATE	APPROVED
			A	RELEASE	08/13/09	B. Andrews



DIMENSIONS IN BRACKETS [] METRIC EQUIVALENT

FINISH: TRIVALENT CHROMATE CONVERSION IAW MIL-DTL-5541, TYPE II, CLASS 3.

ALL PAGES ARE OF ORIGINAL ISSUE (A) EXCEPT AS NOTED.	CONTR NO.		 100 Davids Drive, Hauppauge, New York 11788	
	PREP BY <i>B. Andrews</i>	DATE 08/13/09		
TOLERANCES XX= .01 (0.254) XXX= .005 (0.127)	CHKD BY <i>B. Andrews</i>	DATE 08/13/09	OUTLINE DRAWING DIRECTIONAL COUPLER CD-501-202-10S-R	
	PROJ ENGR <i>W. Davidsson</i>	DATE 08/13/09		
	MFG ENGR		SIZE A	CODE IDENT. NO. 33592
	Q.A.		SCALE	REV. A
		SHEET 1 OF 1		