

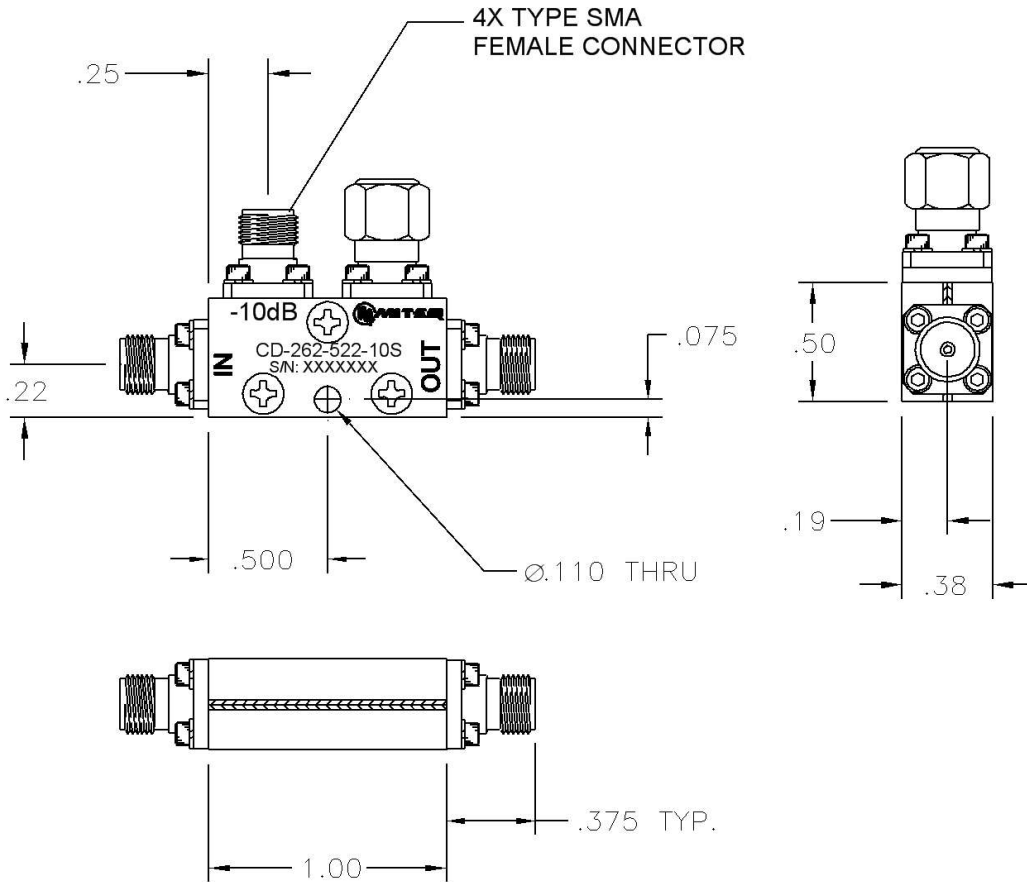
Current Revision

As of 10/12/2011 8:11:23 AM

DWALATA



DASH NO.	APPLICATION		REVISIONS			
	NEXT ASSY	USED ON	LTR	DESCRIPTION	DATE	APPROVED
			B	INCORPORATED ECN 21038	09/20/11	<i>J. Campisi</i>



NOTES:

1. MATERIAL: ALUMINUM ALLOY 6061-T6
2. FINISH: TRIVALENT CHROMATE CONVERSION
IAW: MIL-DTL-5541, TYPE 2, CLASS 3.

ALL PAGES ARE OF ORIGINAL ISSUE (A) EXCEPT AS NOTED.	CONTR. NO. 38POD77		 100 Davids Drive, Hauppauge, New York 11788
	PREP BY <i>J. Campisi</i>	DATE 05/26/09	
UNLESS OTHERWISE SPECIFIED DIMENSIONS ARE IN INCHES TOLERANCES ON DECIMALS .XX±.01 .XXX±.005 ANGLES ±0°30'	CHKD BY <i>J. Campisi</i>	DATE 09/22/11	OUTLINE DRAWING DIRECTIONAL COUPLER CD-262-522-10S
	PROJ ENGR <i>W. Davidsson</i>	DATE 09/30/11	
	MFG ENGR		
Q.A.			SIZE A CODE IDENT. NO. 33592 189676 SCALE REV. B SHEET OF 1