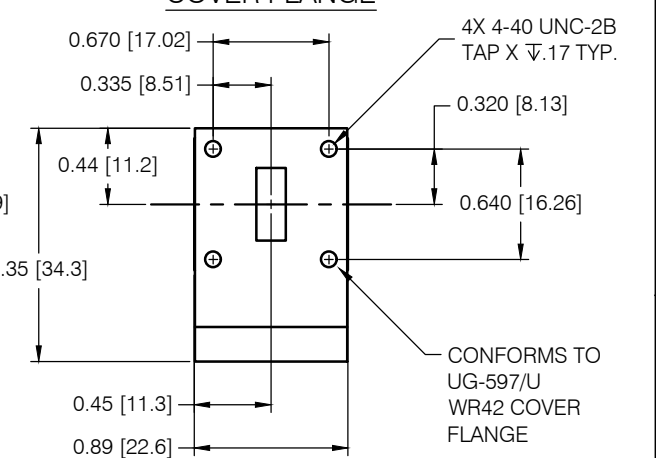
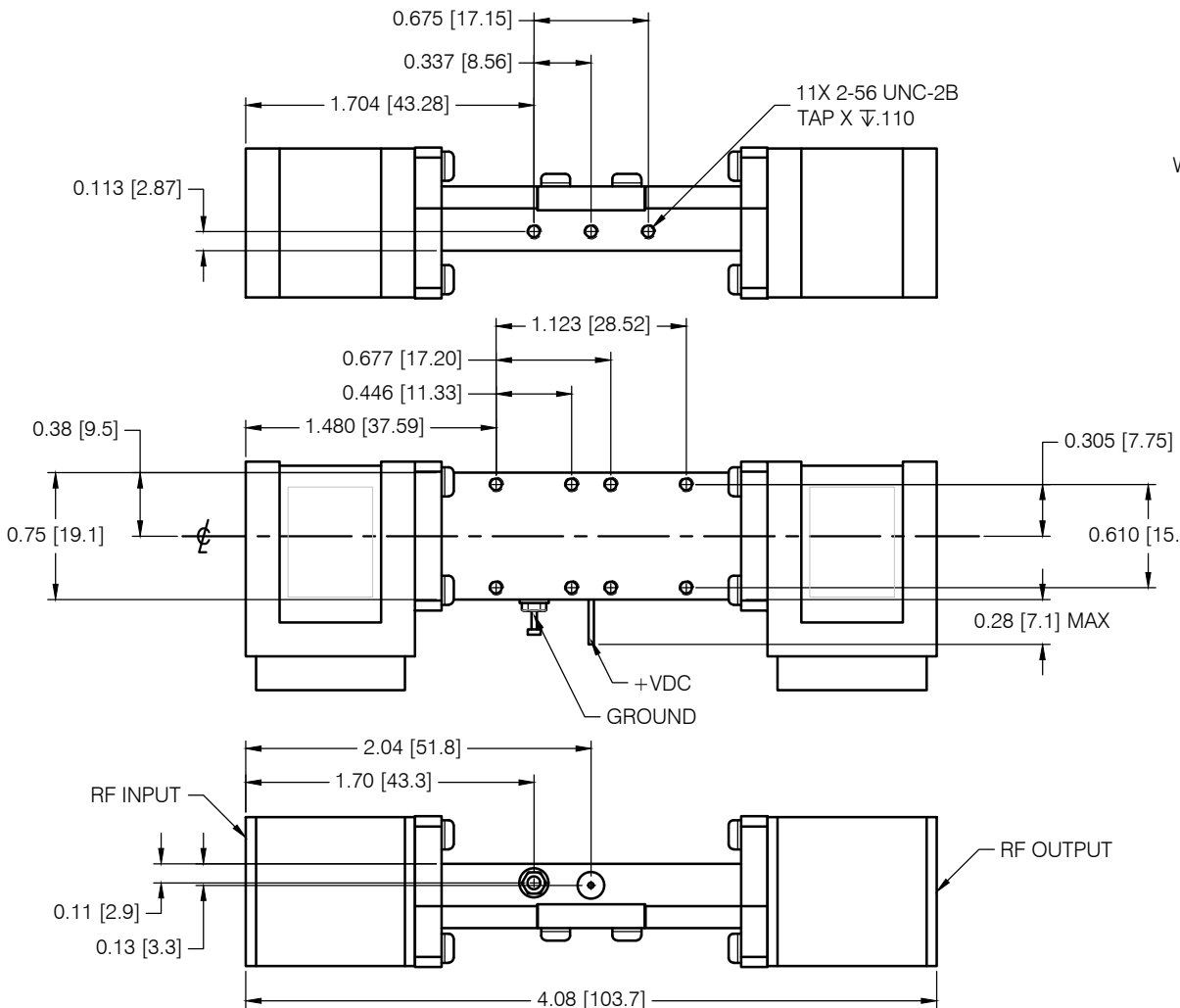


REVISIONS				
ZONE	LTR	DESCRIPTION	DATE	APPROVED
	D	Incorporated ECN 32590	12/19/14	<i>E. Perno</i>



DASH NO. TABLE			
DASH	RF INPUT	RF OUTPUT	REV
1	COVER FLANGE	COVER FLANGE	D
2	COVER FLANGE	GROOVED FLANGE	D
3	GROOVED FLANGE	GROOVED FLANGE	D
4	GROOVED FLANGE	COVER FLANGE	D

PRINT NOT ON AUTOMATIC DISTRIBUTION VERIFY REVISION PRIOR TO USE

NOTE:  
1. METRIC EQUIVALENTS  
ARE SHOWN IN BRACKETS.

<p>Narda-MITEQ PROPRIETARY THIS DOCUMENT CONTAINS INFORMATION WHICH IS PROPRIETARY TO Narda-MITEQ. THE CONTENTS SHALL NOT BE DISCLOSED, COPIED, DISTRIBUTED, OR USED UNLESS AUTHORIZED BY AN OFFICER OF Narda-MITEQ. UNLESS</p>	<p>UNLESS OTHERWISE SPECIFIED DIMENSIONS ARE IN INCHES TOLERANCES ON DECIMALS      ANGLES .XX ± .01    .XXX ± .005    ± 0°30'</p>		<p><b>narda MITEQ</b> 435 MORELAND RD HAUPPAUGE, NY 11788</p>	
	<p>THESE ITEM(S)/TECHNOLOGY CONTAIN INFORMATION SUBJECT TO U.S. GOVERNMENT EXPORT CONTROL IN ACCORDANCE WITH THE EXPORT ADMINISTRATION REGULATIONS (EAR), 15 CFR PARTS 730-744. EXPORT OF THIS DATA TO ANY FOREIGN COUNTRY OR DISCLOSURE OF THIS DATA TO ANY NON-US PERSON MAY BE A VIOLATION OF FEDERAL LAW.</p>		<p>PROJECTION </p>	
<p>NEXT ASSY</p>	<p>USED ON</p>	<p>PROJ ENGR <i>John Sepulveda</i></p>	<p>DATE 01/06/15</p>	<p>OUTLINE, AMPLIFIER WR42 WAVEGUIDE W/ ISOLATOR</p>
<p>APPLICATION</p>		<p>APPROVED BY <i>E. Perno</i></p>		
<p>AUTOCAD FILE FORMAT</p>		<p>SIZE</p>	<p>CODE IDENT. NO. 99899</p>	<p>REV. D</p>
<p>SCALE</p>		<p>REF</p>	<p>164380</p>	<p>SHEET 1 OF 1</p>

183477

AUTOCAD 12/20/11