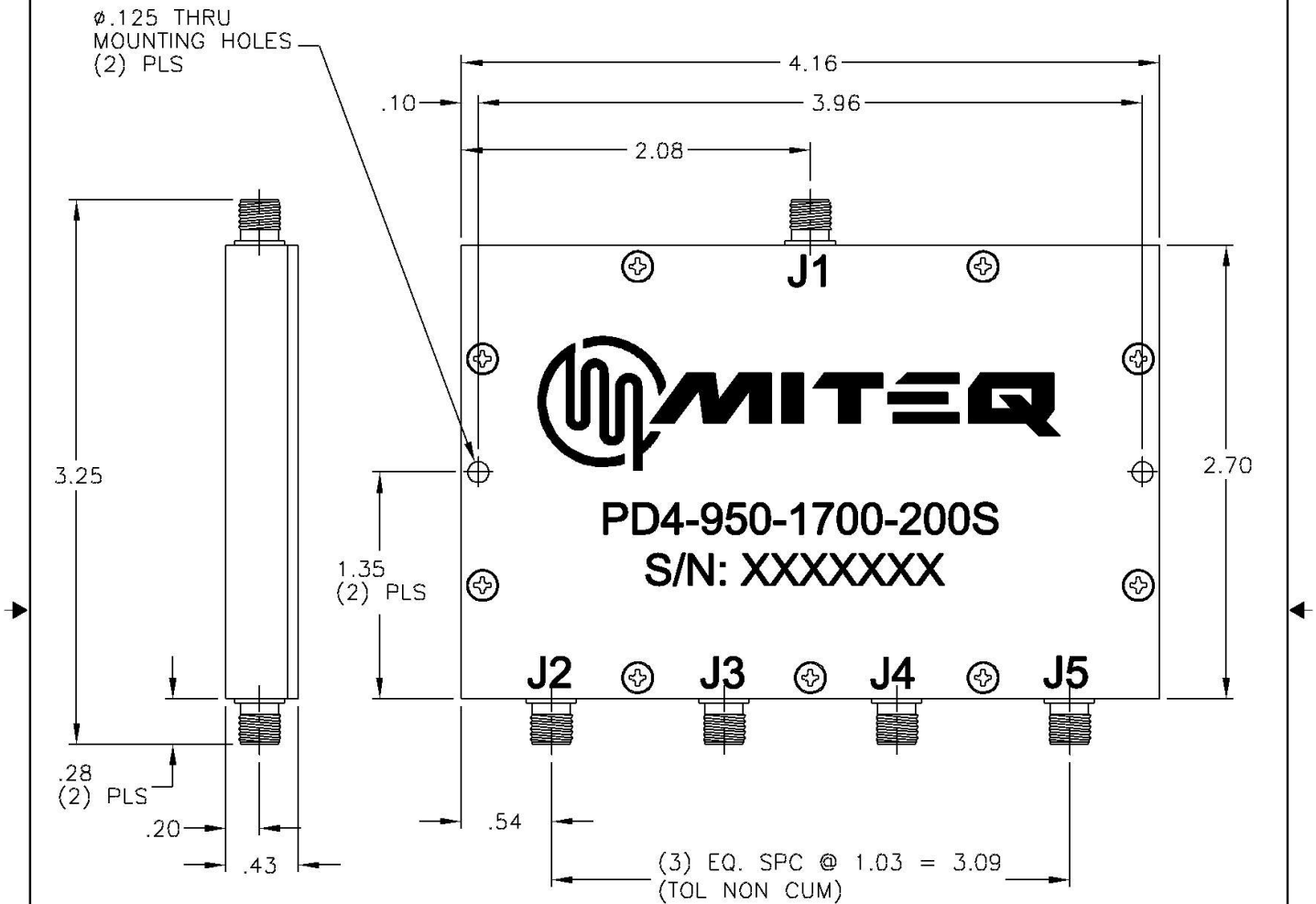


DASH NO.	APPLICATION		REVISIONS			
	NEXT ASSY	USED ON	LTR	DESCRIPTION	DATE	APPROVED
			C	Incorporated ECN 13790	10/06/09	M. Hammon



NOTES:

1. MATERIAL: ALUMINUM ALLOY 6061-T6.
2. FINISH:  
SODIUM ZINCATE ELECTROLESS NICKEL .0002-.0004  
MICRO-INCHES PER SAE AMC-C-26074B.

ALL PAGES ARE OF ORIGINAL ISSUE (A) EXCEPT AS NOTED.	CONTR NO. MQ0163658		 100 Davids Drive, Hauppauge, New York 11788		
	PREP BY <i>M. Hammon</i>	DATE 05/15/08			
UNLESS OTHERWISE SPECIFIED DIMENSIONS ARE IN INCHES (MM) TOLERANCES ON DECIMAL ANGLES .XX±.01 XXX±.005 ±0°30'	CHKD BY <i>M. Hammon</i>	DATE 10/27/09	OUTLINE DRAWING 4-WAY POWER DIVIDER PD4-950/1700-200S		
	PROJ ENGR <i>W. Davidsson</i>	DATE 10/30/09			
FINISH	APPROVAL (PROJ)	SCALE A	CODE IDENT. NO. 33592	182704	
	APPROVAL (GOVT)	SCALE	REV. C	SHEET 1 OF 1	