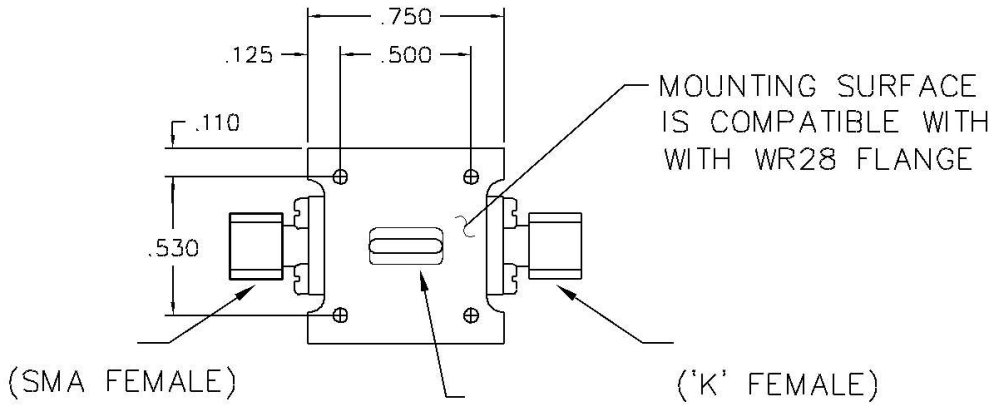
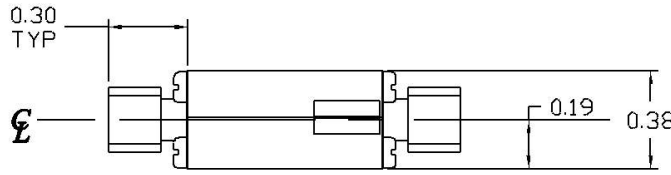
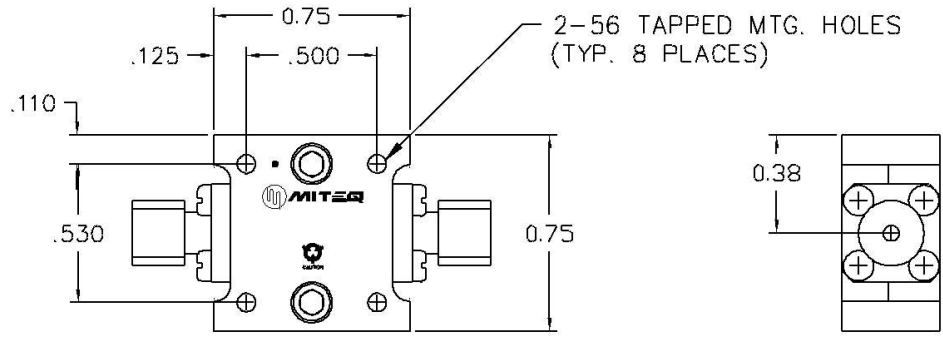


DASH NO.	APPLICATION		REVISIONS			
	NEXT ASSY	USED ON	LTR	DESCRIPTION	DATE	APPROVED
			A	INITIAL RELEASE	9/17/2007	L. Cardinal



FINISH: NICKEL/GOLD PLATE
PER MIL-G-45024, CL 1, TYPE 3, GR A

ALL PAGES ARE OF ORIGINAL ISSUE (A) EXCEPT AS NOTED.	CONTR NO.		 100 Davids Drive, Hauppauge, New York 11788	
	PREP BY	DATE		
UNLESS OTHERWISE SPECIFIED DIMENSIONS ARE IN INCHES (MM) TOLERANCES ON DECIMAL ANGLES .XX±.01 XXX±.005 ±0°30'	CHKD BY	DATE	OUTLINE DRAWING 35 GHz WAVEGUIDE MIXER SPECL PKG	
	PROJ ENGR	DATE		
	APPROVAL (PROJ)		SIZE	CODE IDENT. NO.
	APPROVAL (GOVT)		A	33592
		SCALE	REV. A	SHEET 1 OF 1