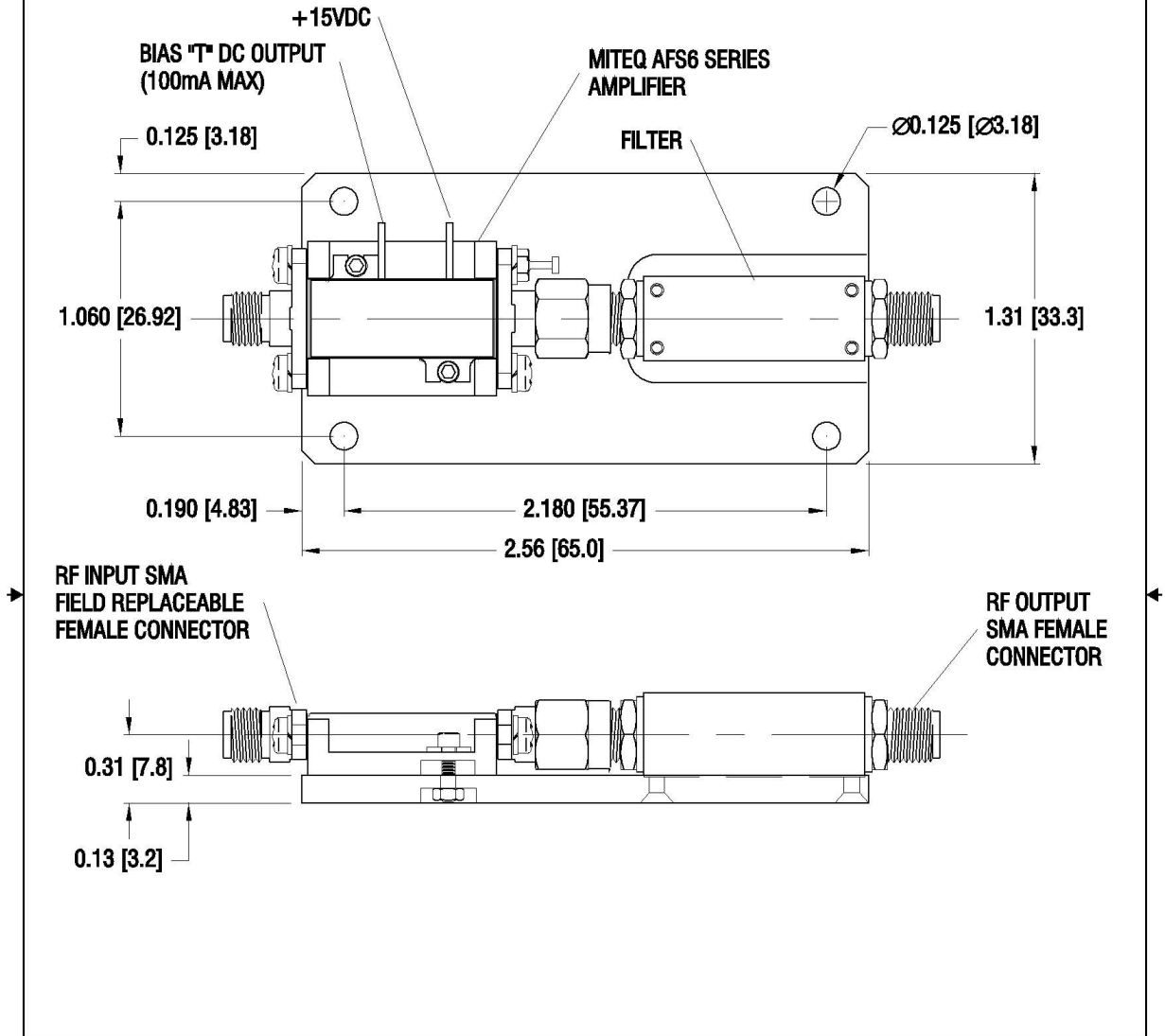


DASH NO.	APPLICATION		REVISIONS			
	NEXT ASSY	USED ON	LTR	DESCRIPTION	DATE	APPROVED
	174776	174774	A	Production Release ECN4671	3/19/2007	<i>Ray P</i>
	174775					



UNLESS OTHERWISE SPECIFIED DIMENSIONS ARE IN INCHES TOLERANCES ON DECIMAL .X ±0.1 DECIMAL .XX ±0.01 DECIMAL .XXX ±0.005 ANGLES X° ±30°	NAME	DATE	 100 Davids Drive, Hauppauge, New York 11788		
	DWN BY <i>Ray P</i>	3/19/2007			
	CHK BY <i>Ray P</i>	3/19/2007	OUTLINE SAFS3-00100300-13-10P-BT-FIL AMPLIFIER/FILTER		
	PROJ ENGR <i>J. Buonaiuto</i>	3/26/2007			
SECT HEAD			SIZE	CODE IDENT. NO.	REV
Q.C.			A	33592	A
CUST			SCALE	PROJECT	SHEET OF
				MQ0154629	1 OF 1

FORM-A1 08