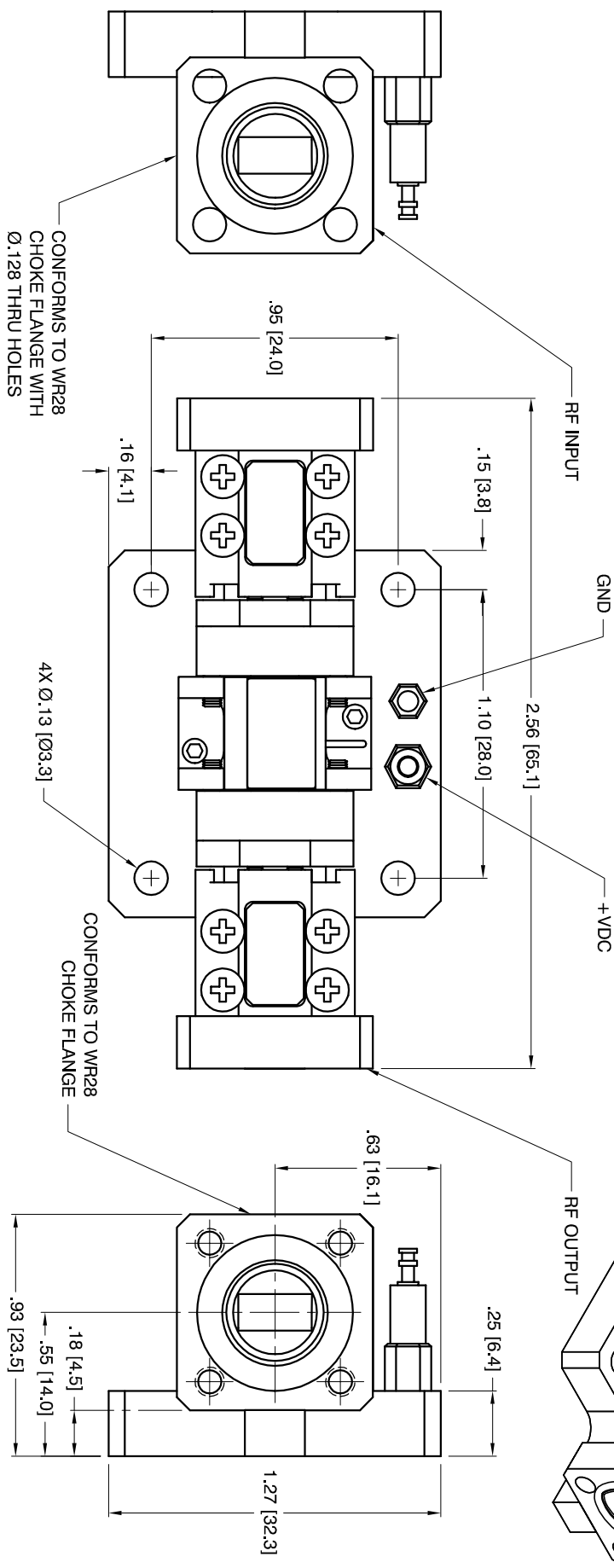
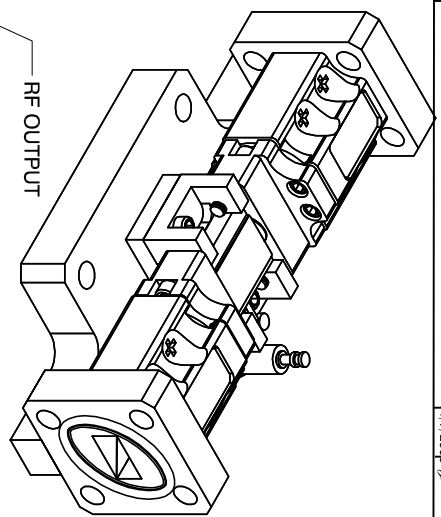


REVISIONS		DATE	APPROVED
ZONE	LTR	DESCRIPTION	
A		INITIAL RELEASE	11/17/2006 <i>J. Stueder</i>



QTY REQD	-5	-4	-3	-2	-1	NOMENCLATURE OR DESCRIPTION	PART NO.	CODE IDENT.	ITEM NO.

UNLESS OTHERWISE SPECIFIED DIMENSIONS ARE IN INCHES TOLERANCES ON ANGLES		DATE	
XX.X(.01)	.XXX(+.005)	±0.30°	11/17/2006
MATERIAL		DRN BY	11/17/2006
		CHKD BY	11/17/2006
		NAME	<i>J. Stueder</i>
		APPROVED BY	<i>J. Stueder</i>
		PRD BY	11/8/2006
		ENG	
		SECT	
		QA	

PARTS LIST		SCALE	
OUTLINE DRAWING	C 33592	15:1/280	
JDS AMPLIFIER WR28	CODE IDENT. NO.		
CHOKE FLANGE IN AND OUT	172530		
	REV.		
	A		

APPLICATION		SCALE	
USED ON		15:1/280	
NEXT ASSY			