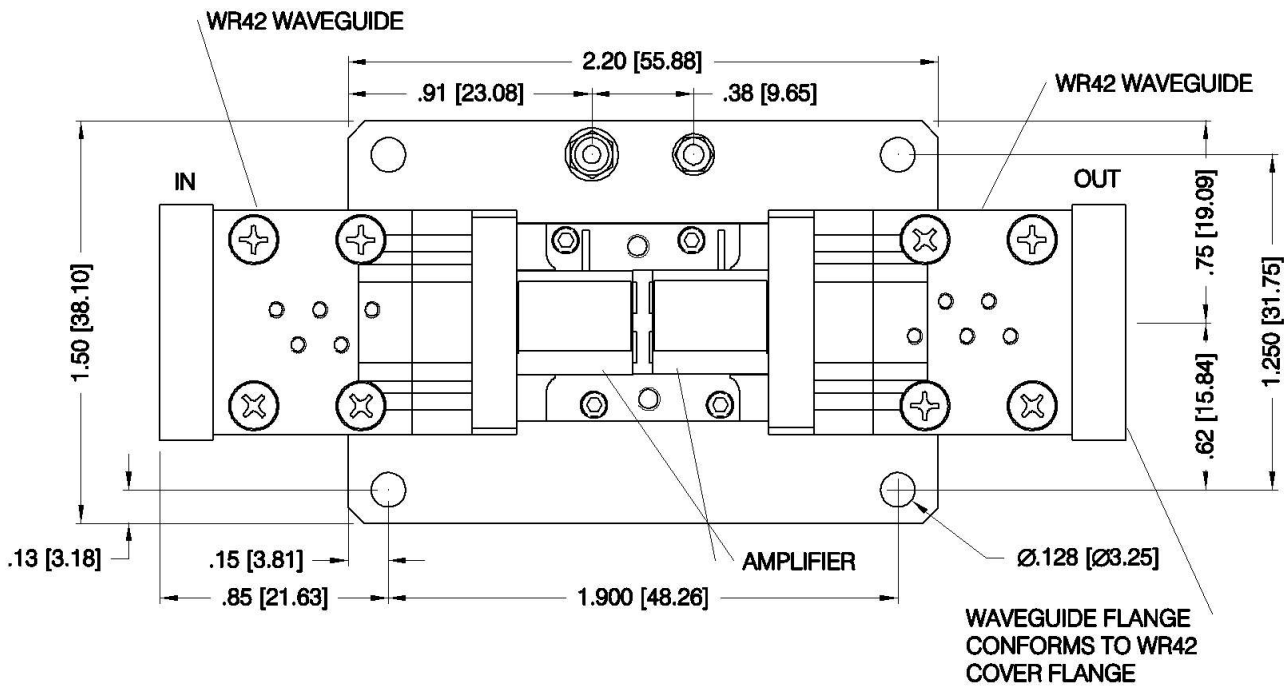
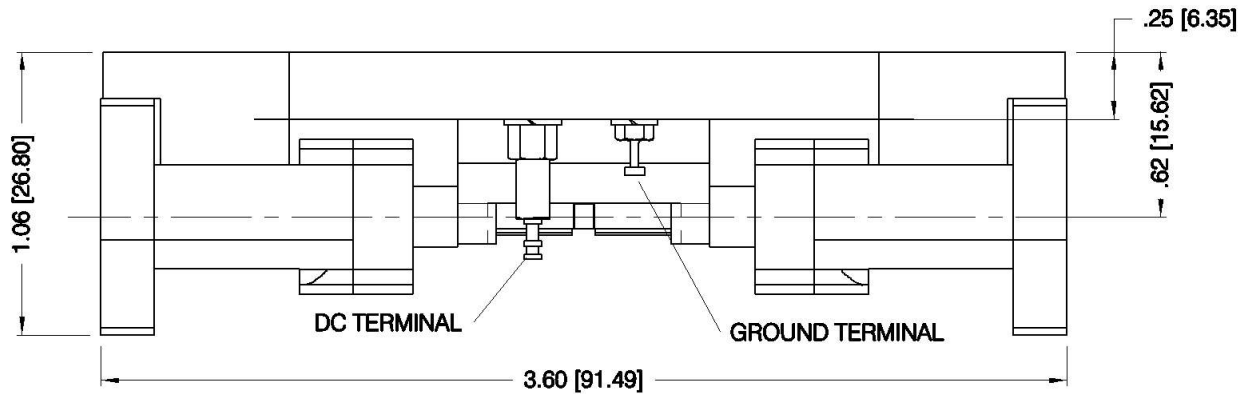


DASH NO.	APPLICATION		REVISIONS			
	NEXT ASSY	USED ON	LTR	DESCRIPTION	DATE	APPROVED
	199794		A	Initial Release	04/25/06	<i>R. Scherer</i>
	199795					



DIMENSIONS IN BRACKET ARE IN MILLIMETERS

<p>UNLESS OTHERWISE SPECIFIED DIMENSIONS ARE IN INCHES TOLERANCES ON</p> <p>DECIMAL .X ±0.1</p> <p>DECIMAL .XX ±0.01</p> <p>DECIMAL .XXX ±0.005</p> <p>ANGLES X° ±30°</p>	NAME	DATE	<p>100 Davids Drive, Hauppauge, New York 11788</p>				
	DWN	<i>R. Scherer</i>				04/25/06	
	DFT DES	<i>R. Scherer</i>	04/07/11	<p>JSD2 MODULE W/WR42 WAVEGUIDE IN &amp; OUT OUTLINE</p>			
	PROJ ENGR	<i>J. Decker</i>	04/08/11				
	MFG ENGR			SIZE	CODE IDENT. NO.		REV
Q.C.			A	33592	168011	A	
CUST			SCALE	PROJECT	SHEET	OF	1

