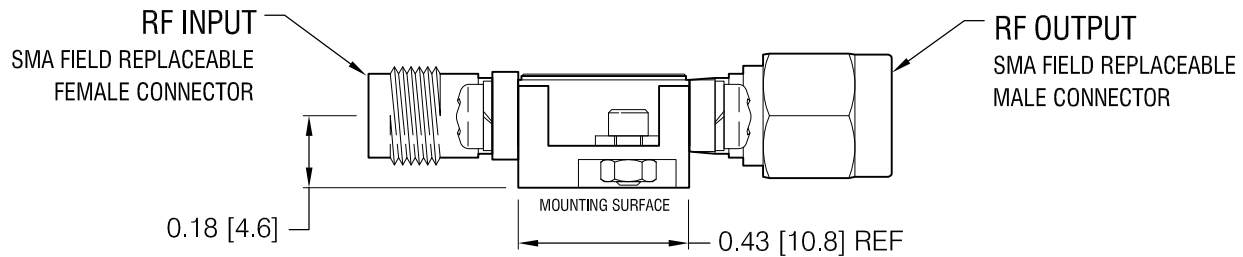
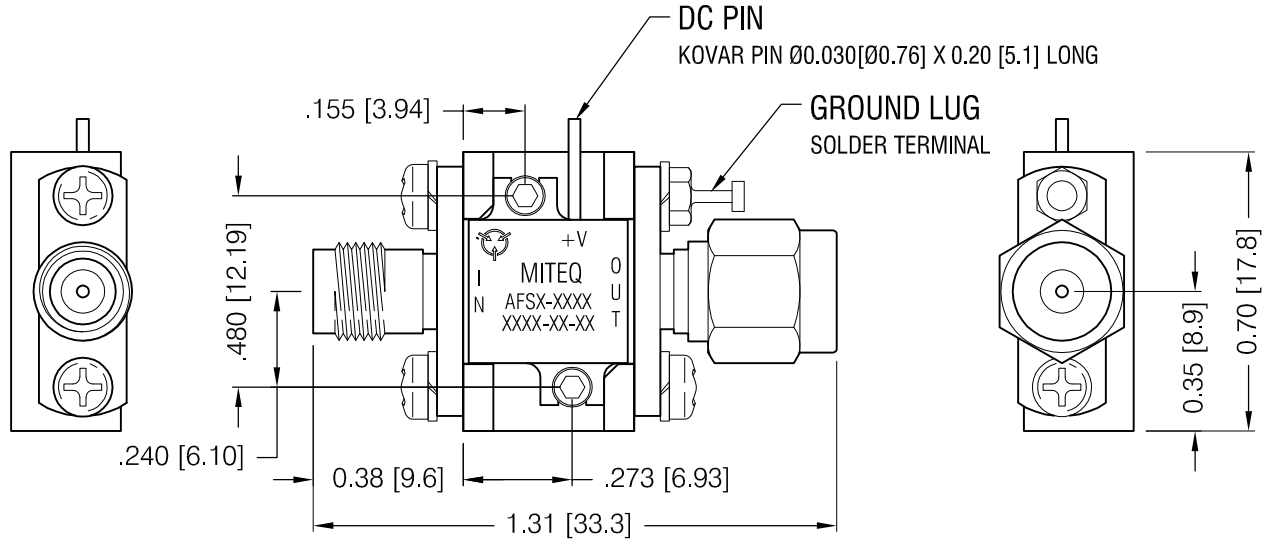
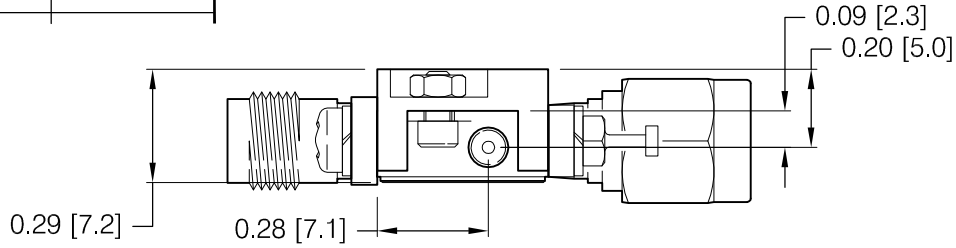
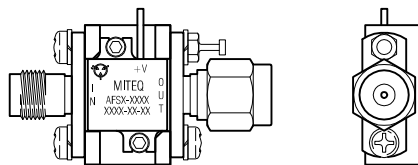



DASH NO.	APPLICATION		REVISIONS			
	NEXT ASSY	USED ON	LTR	DESCRIPTION	DATE	APPROVED
			A	Initial Release	8/10/2005	<i>Ray S</i>



SCALE: 2/1



SCALE: 1/1

UNLESS OTHERWISE SPECIFIED DIMENSIONS ARE IN INCHES TOLERANCES ON DECIMAL .XX ±.01 DECIMAL .XXX ±.005 ANGLES X° ±30'	NAME	DATE	 100 Davids Drive, Hauppauge, New York 11788			
	DWN BY <i>Ray S</i>	8/10/2005				
	CHK BY <i>Ray S</i>	10/17/2005	AFS2 AMPLIFIER WITH MALE OUTPUT OUTLINE			
PROJ ENGR <i>J. Buonaiuto</i>	10/24/2005					
SECT HEAD		SIZE				
Q.C.		A	33592	163515	A	
CUST		SCALE	PROJECT	SHEET	1 OF 1	