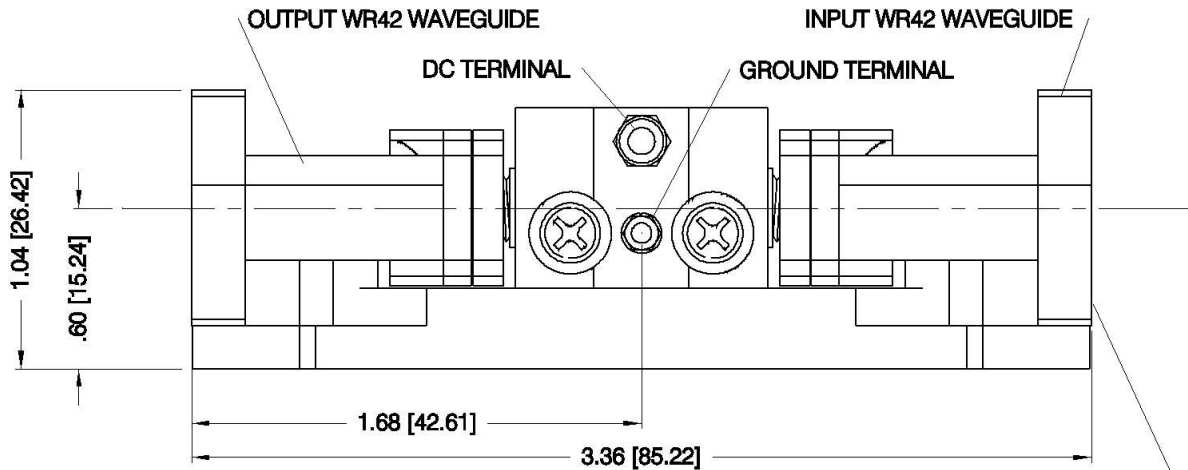
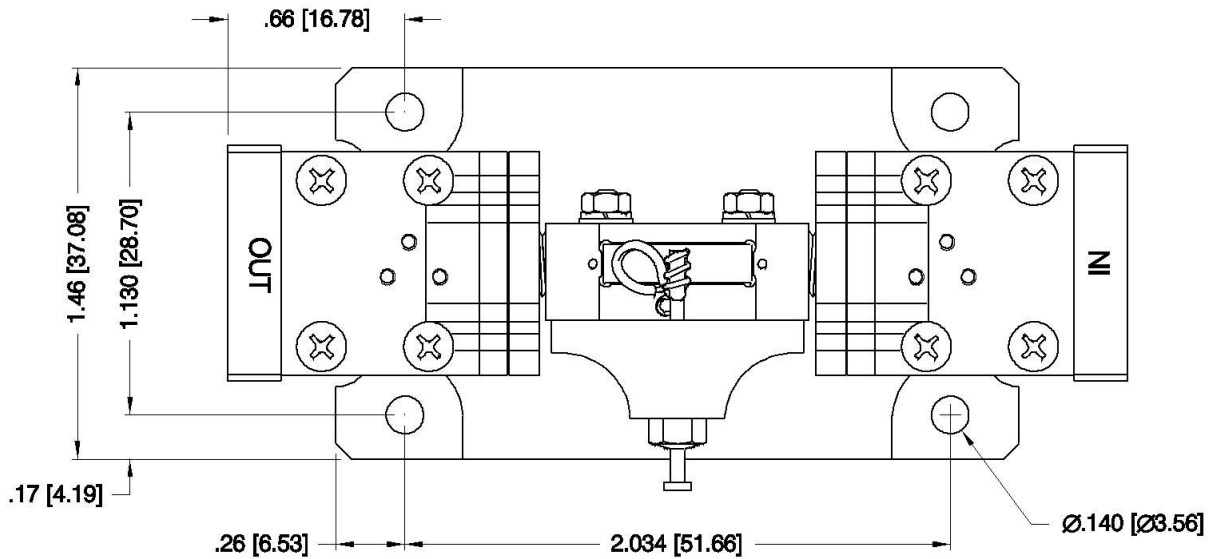


DASH NO.	APPLICATION		REVISIONS			
	NEXT ASSY	USED ON	LTR	DESCRIPTION	DATE	APPROVED
	136565		A	Initial Release	05/01/13	<i>R. Scherer</i>



WAVEGUIDE FLANGE CONFORMS TO WR42 COVER FLANGE

DIMENSIONS IN BRACKET ARE IN MILLIMETERS

UNLESS OTHERWISE SPECIFIED DIMENSIONS ARE IN INCHES TOLERANCES ON DECIMAL .X ±0.1 [2.5] DECIMAL .XX ±0.01 [0.25] DECIMAL .XXX ±0.005 [0.13] ANGLES X° ±30°	NAME	DATE	100 Davids Drive, Hauppauge, New York 11788 <b>JSW AMPLIFIER WR42 IN AND OUT OUTLINE</b>		
	DWN <i>R. Scherer</i>	05/01/13			
	DFT DGN <i>R. Scherer</i>	05/01/13			
	PROJ ENGR <i>J. Decker</i>	05/01/13	SIZE	CODE IDENT. NO.	REV
	MFG ENGR		A	33592	162868
Q.C.		SCALE	PROJECT	SHEET	OF
CUST				1	1

