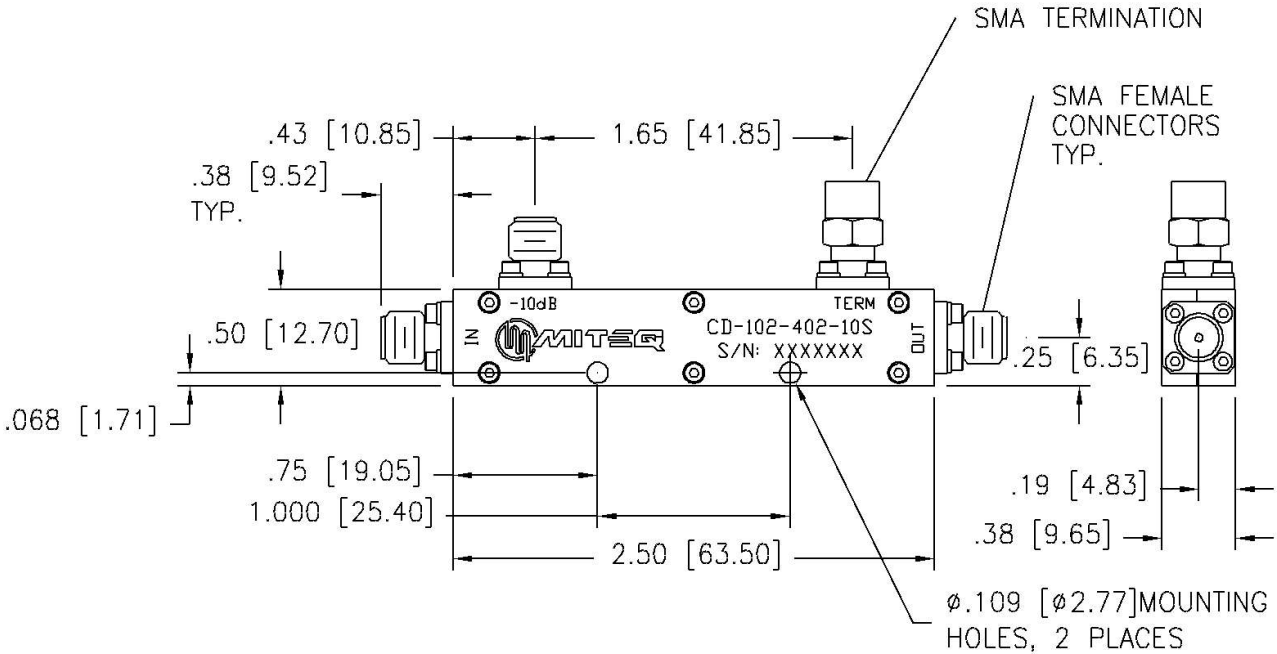
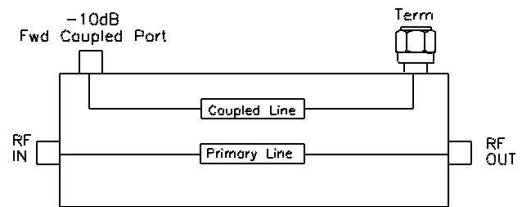


DASH NO.	APPLICATION		REVISIONS			
	NEXT ASSY	USED ON	LTR	DESCRIPTION	DATE	APPROVED
			D	Incorporated ECN 8756	06/03/08	M. Hannon



NOTES:

1. DIMENSIONS SHOWN IN BRACKETS [] ARE IN MILLIMETERS.
2. MATERIAL: ALUMINUM ALLOY 6061-T6511 PER QQ-A-200/8
3. FINISH: TRIVALENT CHROME CONVERSION IAW MIL-DTL-5541, TYPE II, CLASS 3.



ALL PAGES ARE OF ORIGINAL ISSUE (A) EXCEPT AS NOTED.	CONTR NO. 12D001		 100 Davids Drive, Hauppauge, New York 11788		
	PREP BY <i>M. Hannon</i>	DATE 06/08/05			
	CHKD BY <i>M. Hannon</i>	DATE 07/22/08	OUTLINE DRAWING CD-102-402-10S		
	PROJ ENGR <i>W. Davidsson</i>	DATE 07/22/08			
	APPROVAL (PROJ)		SIZE A	CODE IDENT. NO. 33592	162473
	APPROVAL (GOVT)		SCALE	REV. D	SHEET 1 OF 1