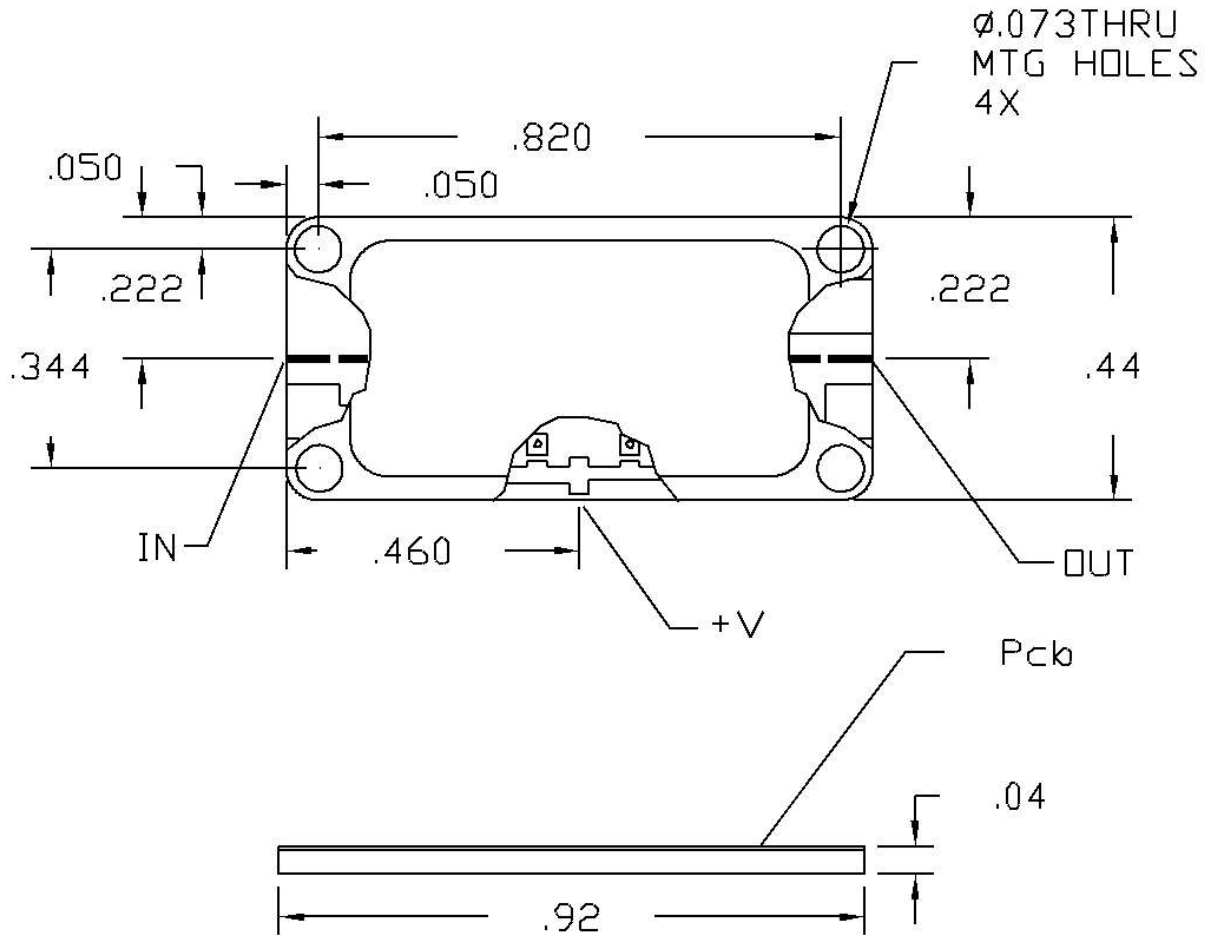


DASH NO.	APPLICATION		REVISIONS			
	NEXT ASSY	USED ON	LTR	DESCRIPTION	DATE	APPROVED
	158013J		A	INITIAL RELEASE	4/29/2005	L. Cardinal
	SYS2J060120-12P					



MATERIAL: ALUM
FINISH: NICKEL

ALL PAGES ARE OF ORIGINAL ISSUE (A) EXCEPT AS NOTED. UNLESS OTHERWISE SPECIFIED, DIMENSIONS ARE IN INCHES (MM). TOLERANCES ON DECIMAL ANGLES: .XX ± .01 .XXX ± .005 ± 0°30'	CONTR NO. MQ013		100 Davids Drive, Hauppauge, New York 11788	
	PREP BY L. Cardinal	DATE 4/29/2005		
	CHKD BY L. Cardinal	DATE 5/4/2005	OUTLINE DRAWING DROP-IN MULTIPLIER	
	PROJ ENGR B. Jang	DATE 5/4/2005		
APPROVAL (PROJ)		SIZE A	CODE IDENT. NO. 33592	162011
APPROVAL (GOVT)		SCALE	REV. A	SHEET 1 OF 1