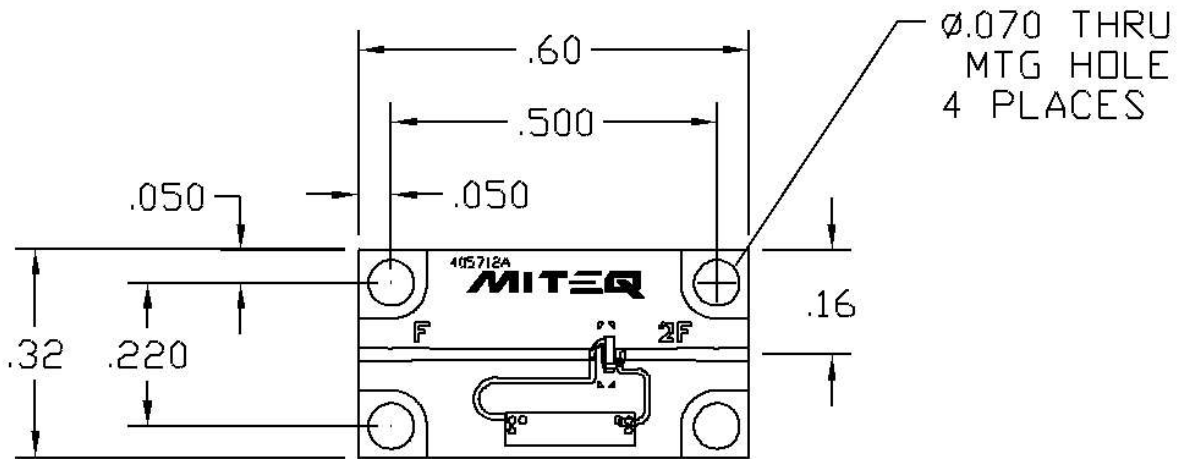


DASH NO.	APPLICATION		REVISIONS			
	NEXT ASSY	USED ON	LTR	DESCRIPTION	DATE	APPROVED
			A	INITIAL RELEASE	4/4/2005	L. Cardinal



MOUNTING SURFACE
 MATERIAL: BRASS
 FINISH: NICKEL PLATE

ALL PAGES ARE OF ORIGINAL ISSUE (A) EXCEPT AS NOTED.	CONTR NO. 57A002		 100 Davids Drive, Hauppauge, New York 11788			
	PREP BY <i>L. Cardinal</i>	DATE 4/4/2005				
UNLESS OTHERWISE SPECIFIED DIMENSIONS ARE IN INCHES (MM) TOLERANCES ON DECIMAL ANGLES .XXX±.01 .XXX±.005 ±0°30'	CHKD BY <i>L. Cardinal</i>	DATE 4/11/2005	OUTLINE DRAWING 4-18 GHz SURFACE MOUNT MULTIPLIER MODULE			
	PRQJ ENGR <i>B. Jang</i>	DATE 4/11/2005				
	APPROVAL (PROJ)		SIZE A	CODE IDENT. NO. 33592	161566	
APPROVAL (GOVT)		SCALE	REV. A	SHEET 1 OF 1		