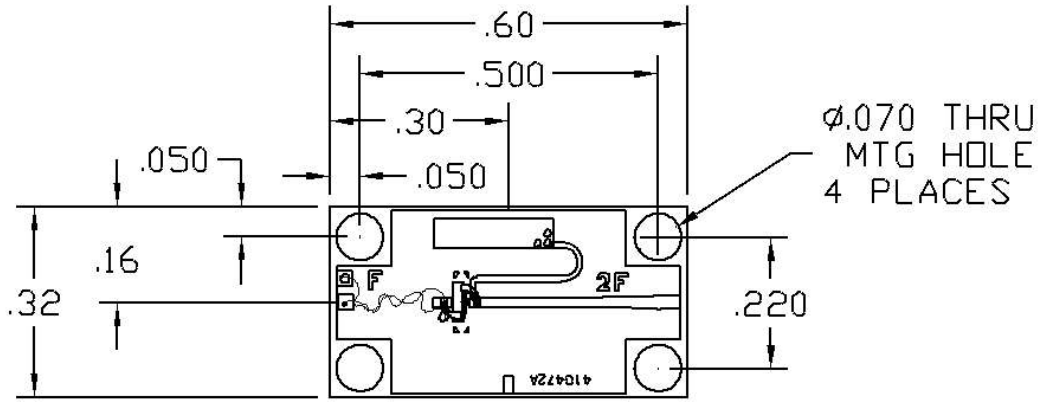
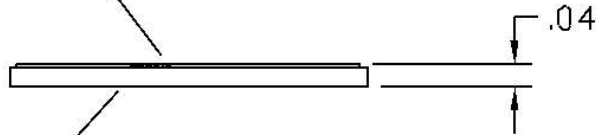


DASH NO.	APPLICATION		REVISIONS			
	NEXT ASSY	USED ON	LTR	DESCRIPTION	DATE	APPROVED
			A	INITIAL RELEASE	4/4/2005	L. Cardinal



CIRCUIT BOARD



MOUNTING SURFACE

MOUNTING SURFACE
 MATERIAL: BRASS
 FINISH: NICKEL PLATE

ALL PAGES ARE OF ORIGINAL ISSUE (A) EXCEPT AS NOTED.	CONTR NO. MQ0131012	 100 Davids Drive, Hauppauge, New York 11788		
	PREP BY <i>L. Cardinal</i> DATE 4/4/2005			
UNLESS OTHERWISE SPECIFIED DIMENSIONS ARE IN INCHES (MM) TOLERANCES ON DECIMAL ANGLES XXX±.01 XXX±.005 ±0°30'	CHKD BY <i>L. Cardinal</i> DATE 4/12/2005	OUTLINE DRAWING 1-6 GHz SURFACE MOUNT		
	PROJ ENGR <i>B. Jiang</i> DATE 4/12/2005			
	APPROVAL (PROJ)	SIZE A	CODE IDENT. NO. 33592	161565
	APPROVAL (GOVT)	SCALE	REV. A	SHEET 1 OF 1