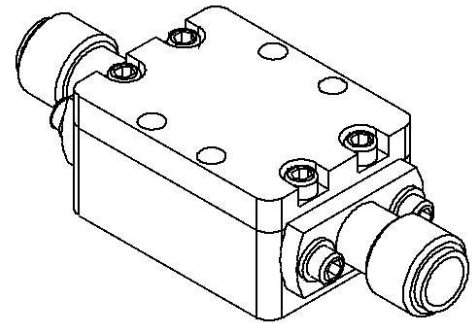
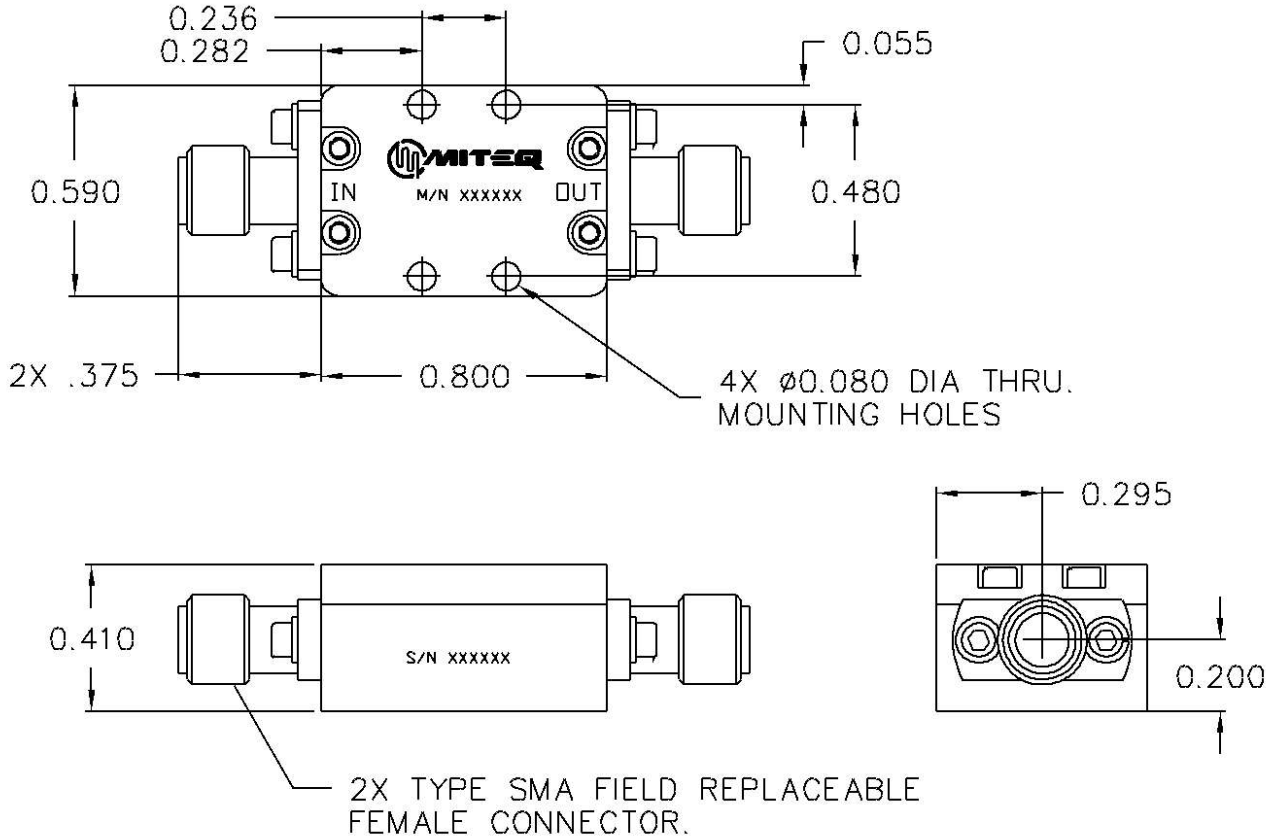


DASH NO.	APPLICATION		REVISIONS			
	NEXT ASSY	USED ON	LTR	DESCRIPTION	DATE	APPROVED
			B	REVISE IN & OUT, ADD S/N	6/6/2005	L. Cardinal



ISOMETRIC VIEW

NOTES:
1. FINISH: NICKEL PLATE.

ALL PAGES ARE OF ORIGINAL ISSUE (A) EXCEPT AS NOTED.	CONTR. NO.		 100 Davids Drive, Hauppauge, New York 11788	
	PREP BY <i>D. LoCASCIO</i>	DATE 12/2/2004		
UNLESS OTHERWISE SPECIFIED DIMENSIONS ARE IN INCHES (MM). TOLERANCES ON DECIMAL ANGLES XX±.01 XXX±.005 ±0°30'	CHKD BY <i>L. Cardinal</i>	DATE 6/6/2005	OUTLINE DRAWING MULTIPLIER MODULE w/ CARRIER	
	PROJ ENGR <i>B. Yang</i>	DATE 6/6/2005		
	APPROVAL (PROJ)		SIZE A	CODE IDENT. NO. 160057
	APPROVAL (GOVT)		SCALE	REV. B SHEET 1 OF 1