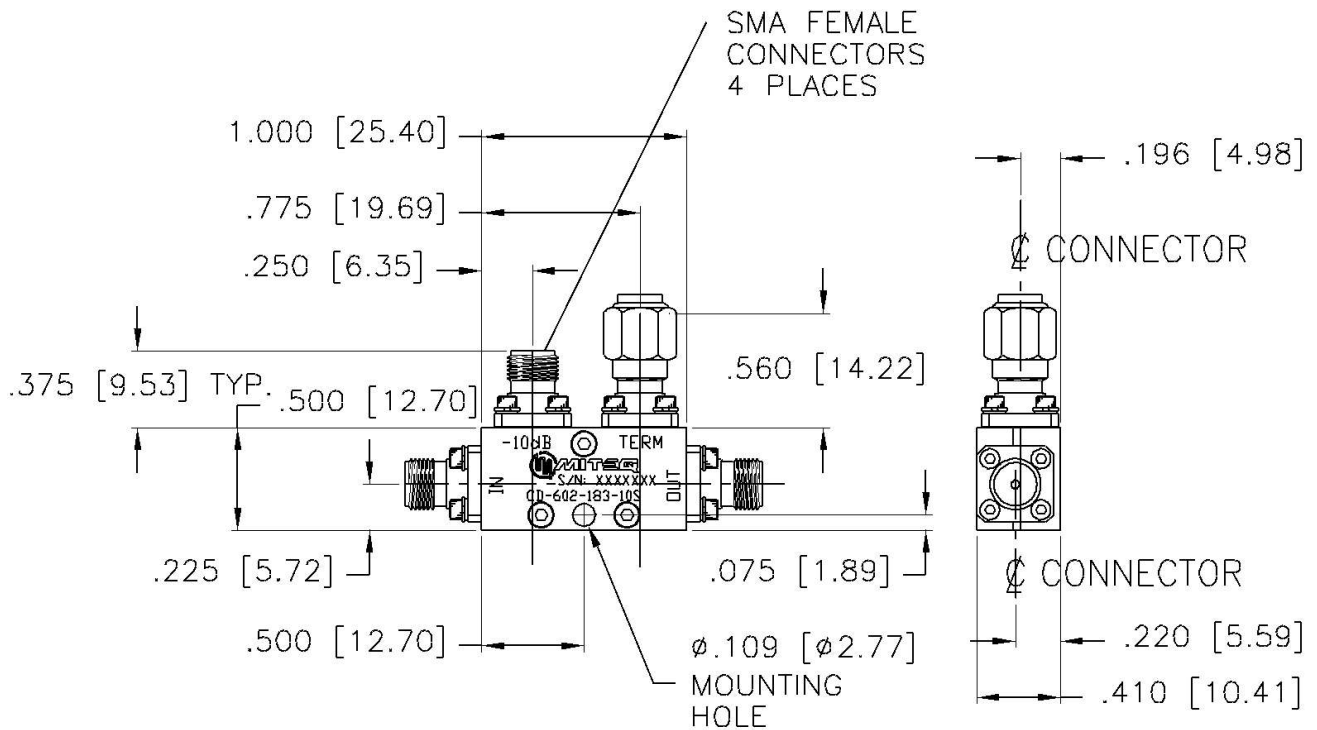


DASH NO.	APPLICATION		REVISIONS			
	NEXT ASSY	USED ON	LTR	DESCRIPTION	DATE	APPROVED
			C	Incorporated ECN 10328	10/29/08	M. Hammon



NOTE:

1. MATERIAL: ALUMINUM ALLOY 6061-T6
2. FINISH: TRIVALENT CHROME CONVERSION
IAW MIL-DTL-5541F, TYPE II, CLASS-3

ALL PAGES ARE OF ORIGINAL ISSUE (A) EXCEPT AS NOTED.	CONTR. NO.		 100 Davids Drive, Hauppauge, New York 11788			
	PREP BY	NAME				
	Scott Smith		05/05/06			
	CHKD BY	M. Hammon	10/29/08	SIZE	CODE IDENT. NO.	159690
	PROJ ENGR	W. Davidsson	10/29/08	A	33592	
	APPROVAL (PROJ)			SCALE	REV.	C
	APPROVAL (GOVT)					SHEET 1 OF 1