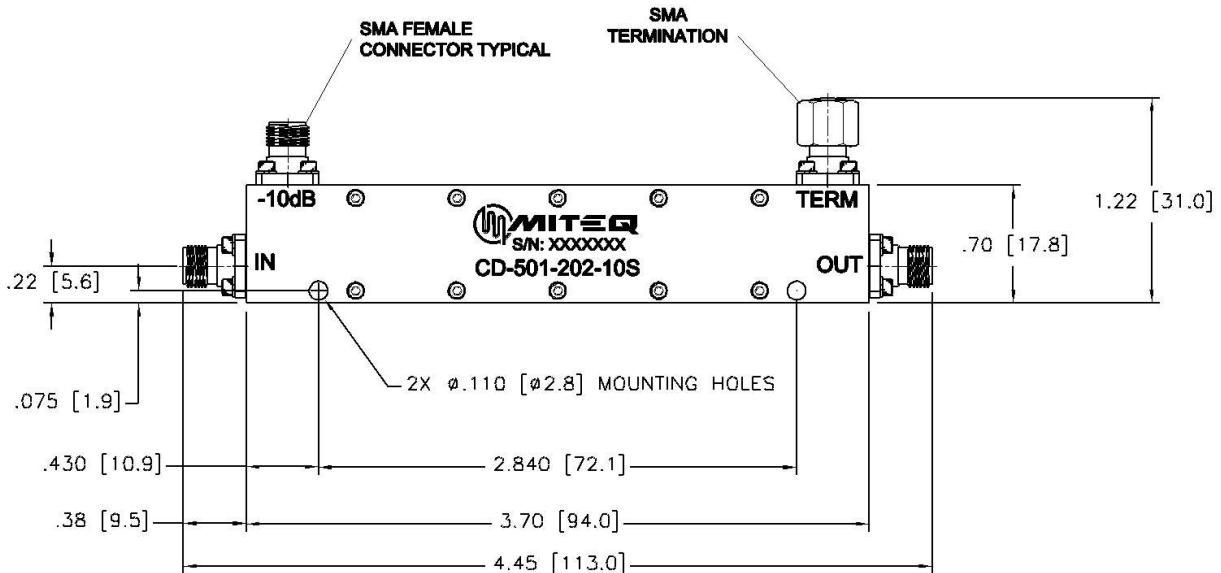
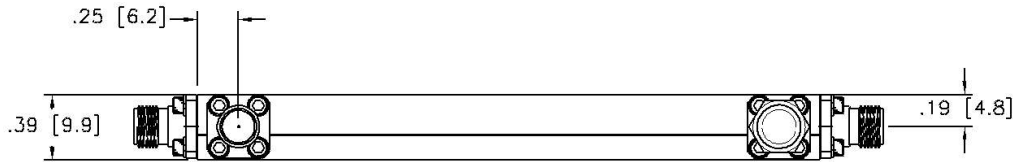


DASH NO.	APPLICATION		REVISIONS			
	NEXT ASSY	USED ON	LTR	DESCRIPTION	DATE	APPROVED
			D	Incorporated ECN 16056	05/04/10	



DIMENSIONS IN BRACKETS [] METRIC EQUIVALENT

FINISH: TRIVALENT CHROMATE CONVERSION IAW MIL-DTL-5541, TYPE II, CLASS 3.

ALL PAGES ARE OF ORIGINAL ISSUE (A) EXCEPT AS NOTED.	CONTR NO.		 100 Davids Drive, Hauppauge, New York 11788
	PREP BY <i>Ray</i>	DATE 09/01/04	
UNLESS OTHERWISE SPECIFIED DIMENSIONS ARE IN INCHES TOLERANCES ON: DECIMALS: ANGLES .XX±.01 ±0°30' .XXX±.005	CHKD BY		OUTLINE DRAWING DIRECTIONAL COUPLER CD-501-202-10S
	PROJ ENGR <i>W. Davidsson</i>	DATE 06/11/10	
	APPROVAL (PROJ)		SIZE A
APPROVAL (GOVT)		SCALE	REV. D
		SHEET 1 OF 1	