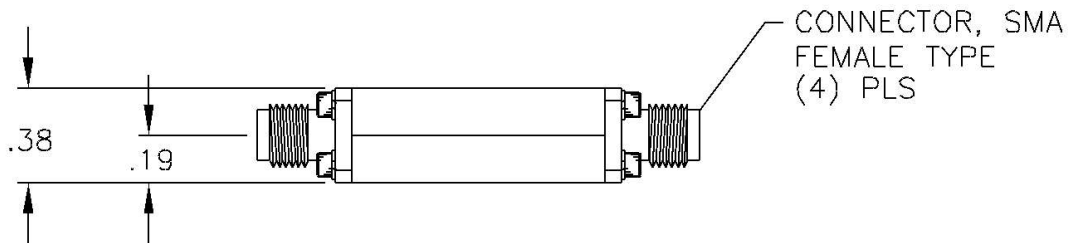
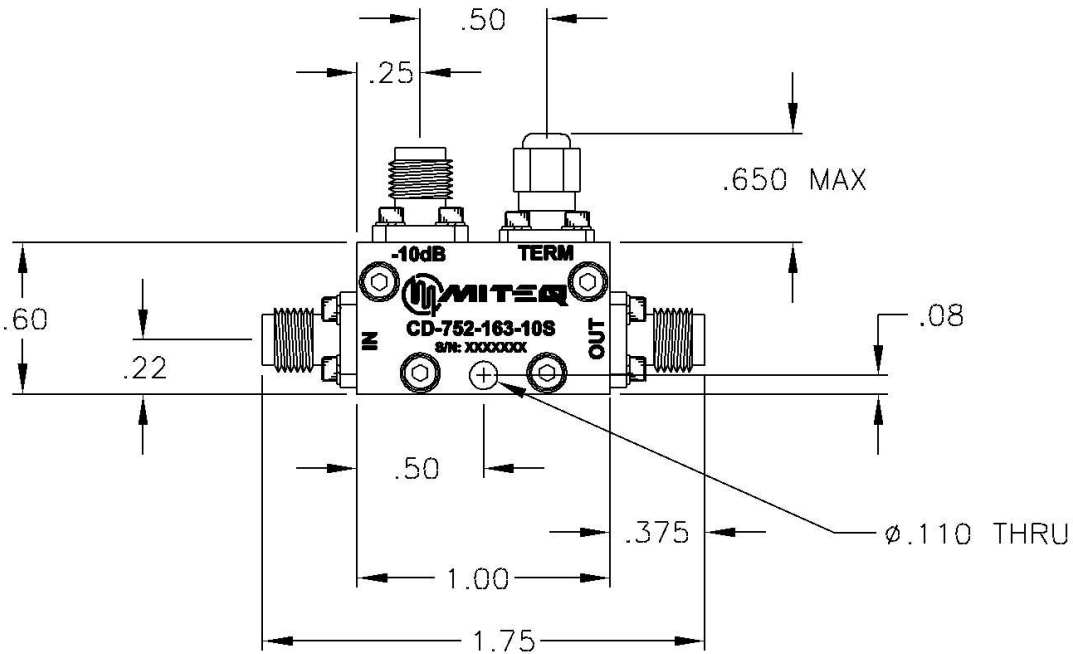



| DASH NO. | APPLICATION |         | REVISIONS |                        |          |          |
|----------|-------------|---------|-----------|------------------------|----------|----------|
|          | NEXT ASSY   | USED ON | LTR       | DESCRIPTION            | DATE     | APPROVED |
|          |             |         | C         | Incorporated ECN 14041 | 10/28/09 |          |



NOTES:  
1. FINISH: TRIVALENT CHROMATE CONVERSION  
IAW MIL-DTL-5541F, TYPE II, CLASS 3.

|  |                                 |               |   |
|--|---------------------------------|---------------|---|
| ALL PAGES ARE OF ORIGINAL ISSUE (A) EXCEPT AS NOTED. | CONTR NO. 12D001                |               | <br>100 Davids Drive, Hauppauge, New York 11788 |
|  | PREP BY NAME <i>Scott Smith</i> | DATE 01/04/05 |   |
|  | CHKD BY                         |               | OUTLINE DRAWING<br>DIRECTIONAL COUPLER<br>CD-752-163-10S  |
|  | PROJ ENGR <i>W. Davidsson</i>   | 11/12/09      |   |
|  | APPROVAL (PROJ)                 |               | SIZE A    CODE IDENT. NO. 156631  |
|  | APPROVAL (GOVT)                 |               | SCALE    REV. C    SHEET 1 OF 1   |