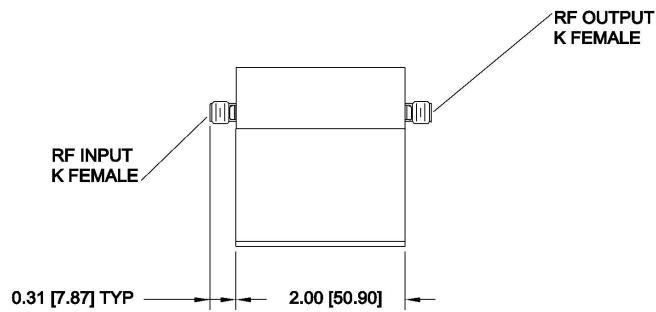
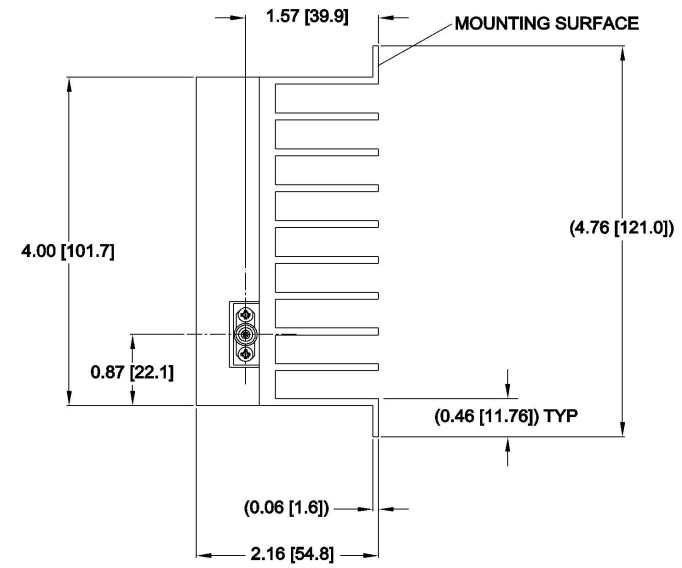
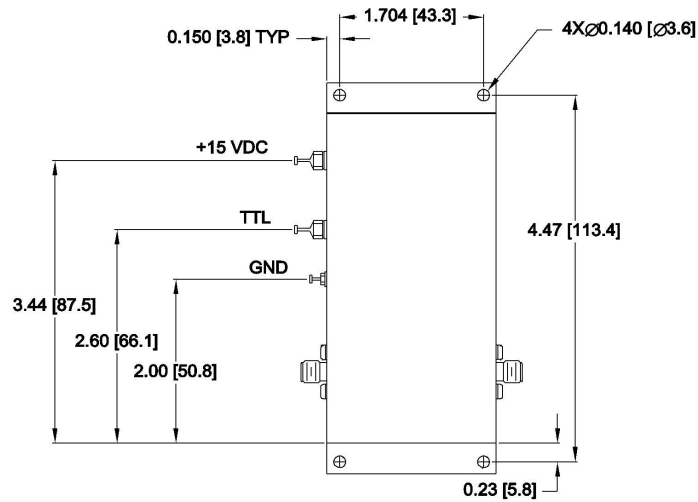


REVISIONS				
ZONE	LTR	DESCRIPTION	DATE	APPROVED
	B	SMA TO K	2/12/04	J. Boward



-5	-4	-3	-2	-1	NOMENCLATURE OR DESCRIPTION	SYM/NOTES	PART NO.	CODE IDENT.	ITEM NO.																									
					PARTS LIST																													
QTY REQ'D					UNLESS OTHERWISE SPECIFIED DIMENSIONS ARE IN INCHES TOLERANCES ON																													
					DECIMALS .XX±.01	ANGLES ±0°30'	<table border="1"> <tr> <td>DRN BY</td> <td><i>X. J. Boward</i></td> <td>DATE</td> <td>2/11/04</td> </tr> <tr> <td>CHKD BY</td> <td><i>X. J. Boward</i></td> <td>DATE</td> <td>2/12/04</td> </tr> <tr> <td>APPROVED BY</td> <td colspan="3"></td> </tr> <tr> <td>PROJ ENGR</td> <td><i>MEJ</i></td> <td>DATE</td> <td>2/13/04</td> </tr> <tr> <td>ENG SECT</td> <td colspan="3"></td> </tr> <tr> <td>QA</td> <td colspan="3"></td> </tr> </table>				DRN BY	<i>X. J. Boward</i>	DATE	2/11/04	CHKD BY	<i>X. J. Boward</i>	DATE	2/12/04	APPROVED BY				PROJ ENGR	<i>MEJ</i>	DATE	2/13/04	ENG SECT				QA			
DRN BY	<i>X. J. Boward</i>	DATE	2/11/04																															
CHKD BY	<i>X. J. Boward</i>	DATE	2/12/04																															
APPROVED BY																																		
PROJ ENGR	<i>MEJ</i>	DATE	2/13/04																															
ENG SECT																																		
QA																																		
MATERIAL					100 Davids Drive, Hauppauge, New York 11788 OUTLINE AMF-6F-240262-50-21P WITH HEATSINK																													
HEATSINK 154625					SIZE CODE IDENT. NO																													
COVER 154686					C 33592 154685 B																													
HOUSING 139070					SCALE REF P130088 SHEET 1 OF 1																													
HOUSING 128063																																		
NEXT ASSY USED ON																																		
APPLICATION					HEAT TREAT																													