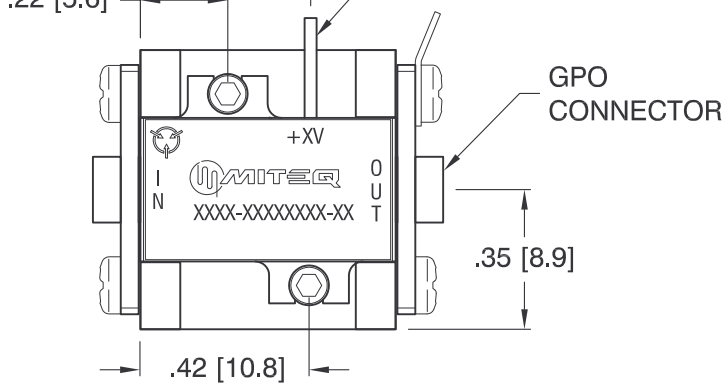
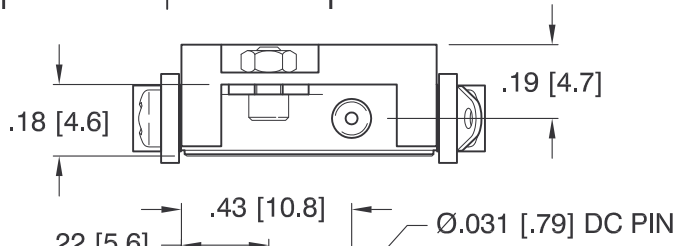
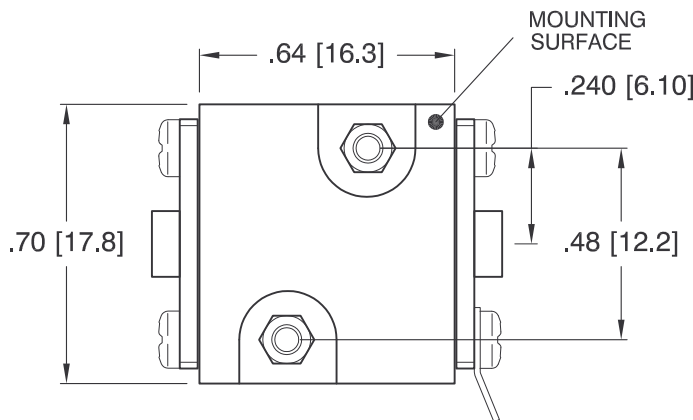
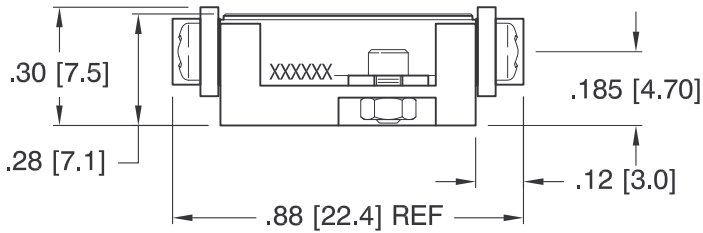
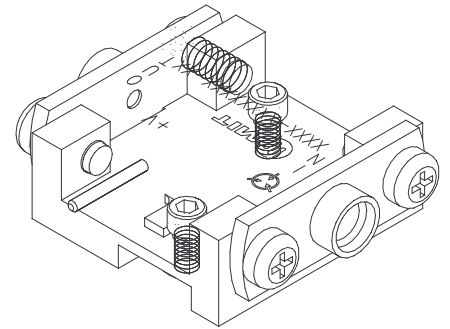


DASH NO.	APPLICATION		REVISIONS			
	NEXT ASSY	USED ON	LTR	DESCRIPTION	DATE	APPROVED
			A	INITIAL RELEASE	1/22/04	RayS



ACTUAL SIZE




NOTES:

AMPLIFIER HOUSING MADE FROM KOVAR WITH GOLD OVER NICKEL PLATING

CONNECTOR FIXTURE MADE FROM ALUMINUM WITH IRRDITE

DIMENSIONS ARE IN INCH [mm]

SCALE: 2/1

UNLESS OTHERWISE SPECIFIED DIMENSIONS ARE IN INCHES TOLERANCES ON	NAME	DATE	 100 Davids Drive, Hauppauge, New York 11788				
	DWN BY	RayS					1/22/04
	DECIMAL .XX ±.01 DECIMAL .XXX ±.005 ANGLES X° ±30'	CHK BY	RayS	3/3/04	AFS4 AMPLIFIER WITH GPO OUTLINE		
	PROJ ENGR	Buonaiuto	3/25/04				
	SECT HEAD			SIZE	CODE IDENT. NO.		REV
	Q.C.			A	33592	154380	A
	CUST			SCALE	PROJECT	SHEET	1 OF 1