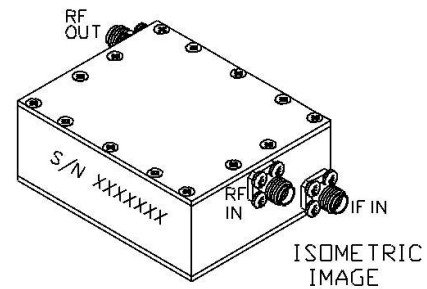
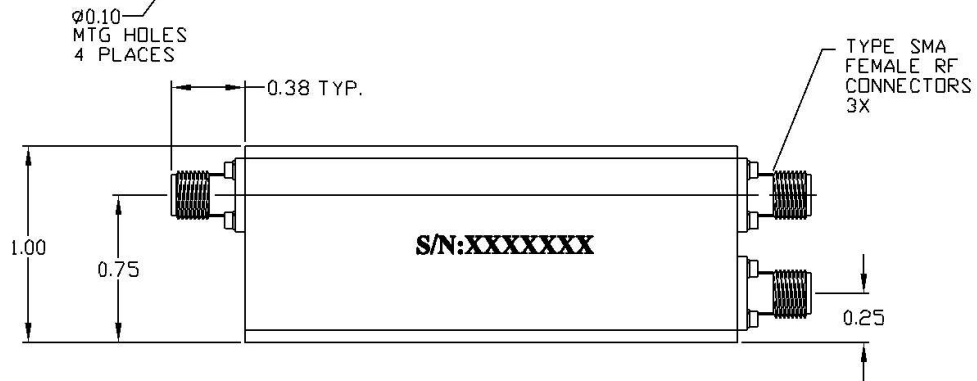
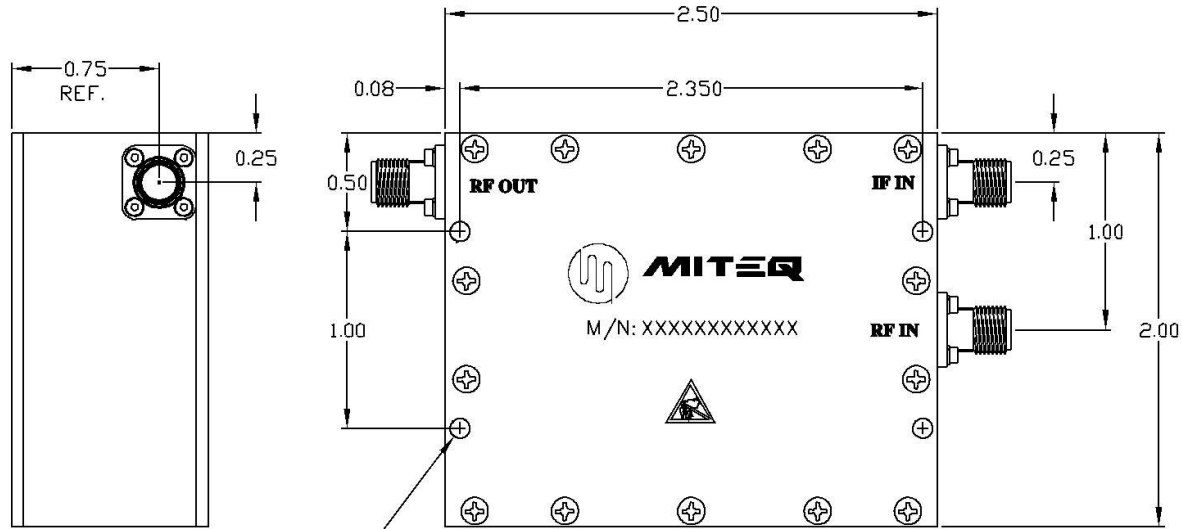


DASH NO.	APPLICATION		REVISIONS			
	NEXT ASSY	USED ON	LTR	DESCRIPTION	DATE	APPROVED
			B	Revper ECN14409	12/03/09	



FINISH: NICKEL PLATE per SAE-AMS-C26074C

ALL PAGES ARE OF ORIGINAL ISSUE (A) EXCEPT AS NOTED.	CONTR NO.	MQ0173934	 100 Davids Drive, Hauppauge, New York 11788
	ORIGINALLY DRAWN BY	<i>L. Spohrer</i>	
UNLESS OTHERWISE SPECIFIED DIMENSIONS ARE IN INCHES (MM) TOLERANCES ON DECIMAL .XX±.01 XXX±.005 ANGLES ±0°30'	PREP BY	NAME <i>L. Cardinal</i>	DATE 12/03/09
	CHKD BY		
	PROJ ENGR	<i>J. Jafonte</i>	01/08/10
	APPROVAL (PROJ)		
APPROVAL (GOVT)			SIZE A CODE IDENT. NO. 33592 152829
SCALE		REV. B	SHEET 1 OF 1