

Current Revision

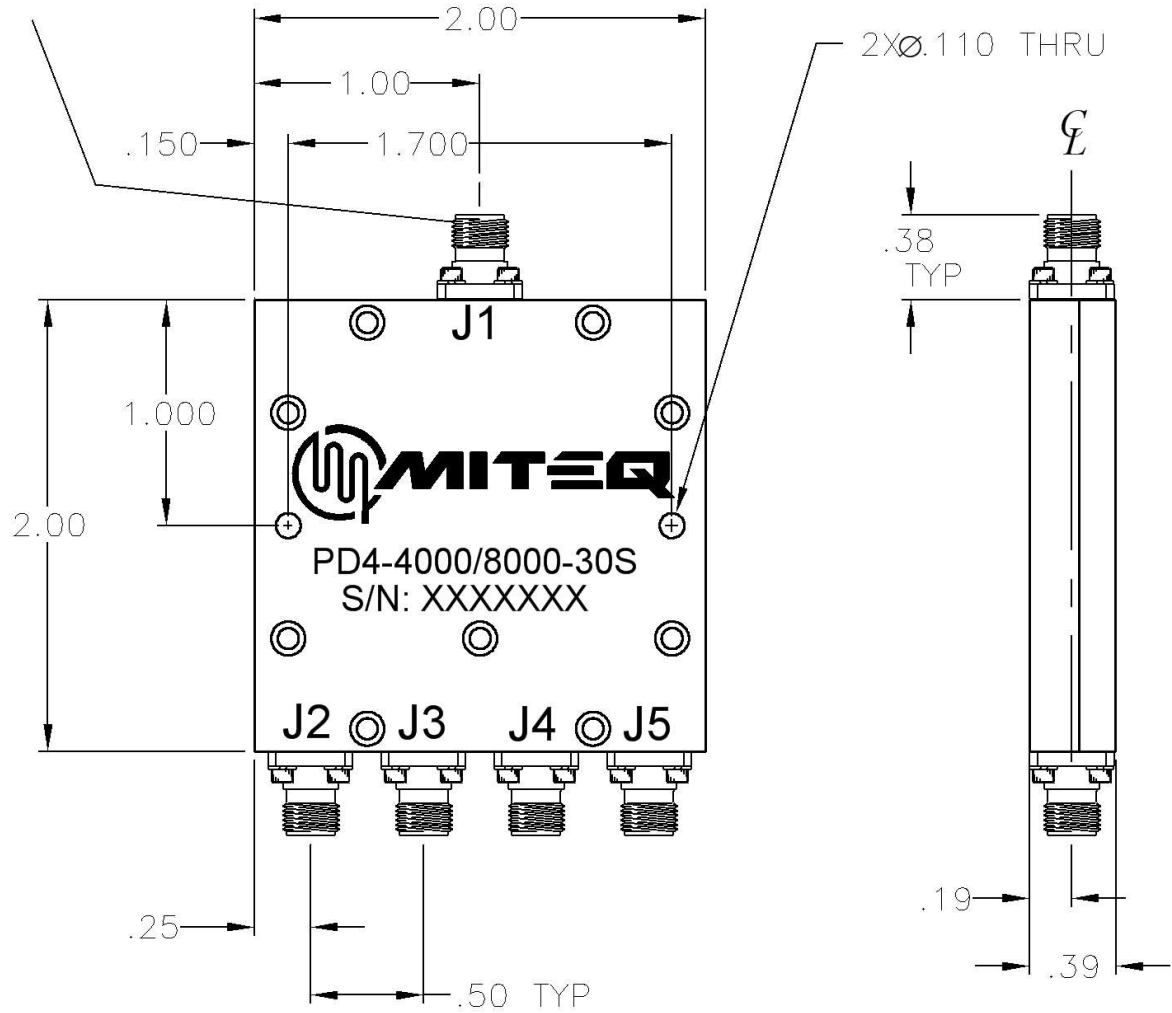
As of 3/11/2011 8:58:27 AM

DWALATA



DASH NO.	APPLICATION		REVISIONS			
	NEXT ASSY	USED ON	LTR	DESCRIPTION	DATE	APPROVED
			D	Incorporated ECN 19025	02/24/11	<i>J. Campisi</i>

SMA FEMALE CONNECTORS (5 PLACES)



NOTES:
 1. FINISH: TRIVALENT CHROMATE CONVERSION
 IAW MIL-DTL-5541, TYPE II, CLASS 3.

ALL PAGES ARE OF ORIGINAL ISSUE (A) EXCEPT AS NOTED.	CONTR NO. 38POD77		 100 Davids Drive, Hauppauge, New York 11788	
	PREP BY <i>W. Hurst</i>	DATE 08/13/03		
UNLESS OTHERWISE SPECIFIED DIMENSIONS ARE IN INCHES TOLERANCES ON DECIMALS .XX±.01 .XXX±.005 ANGLES ±0°30'	CHKD BY <i>J. Campisi</i>	DATE 03/09/11	OUTLINE DRAWING 4-WAY POWER DIVIDER PD4-4000/8000/30S	
	PROJ ENGR <i>W. Davidsson</i>	DATE 03/09/11		
	APPROVAL (PROJ)		SIZE A	CODE IDENT. NO. 33592
	APPROVAL (GOVT)		SCALE	REV. D SHEET OF 1