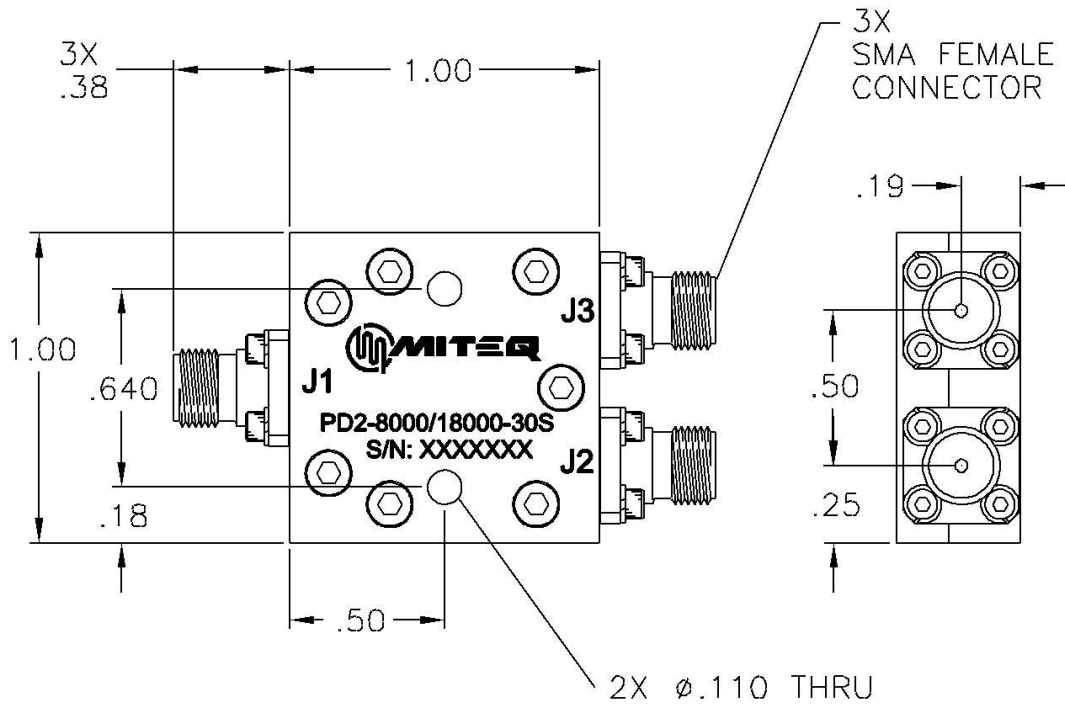


DASH NO.	APPLICATION		REVISIONS			
	NEXT ASSY	USED ON	LTR	DESCRIPTION	DATE	APPROVED
			G	Incorporated ECN 30346	03/06/14	B. Diamond

ROHS NR - NOT REQUIRED  
 NOT-ITAR CONTROLLED - ITAR PARTS ARE PROHIBITED



**NOTES:**

- 1. MATERIAL: ALUMINUM ALLOY 6061-T6**
- 2. FINISH: TRIVALENT CHROMATE CONVERSION  
IAW MIL-DTL-5541, TYPE II, CLASS 3**

ALL PAGES ARE OF ORIGINAL ISSUE (A) EXCEPT AS NOTED.	CONTR. NO. 38POD77		 100 Davids Drive, Hauppauge, New York 11788	
	PREP BY <i>B. Davidsson</i>	DATE 07/23/03		
UNLESS OTHERWISE SPECIFIED DIMENSIONS ARE IN INCHES (MM) TOLERANCES ON DECIMAL .00±.01 .000±.005 ANGLES 30°/30°	CHKD BY <i>B. Diamond</i>	DATE 03/07/14	OUTLINE DRAWING 2-WAY POWER DIVIDER PD2-8000/18000-30S	
	PROJ ENGR <i>W. Davidsson</i>	DATE 03/17/14		
	APPROVAL (PROJ)		SIZE A	CODE IDENT. NO. 33592
	APPROVAL (GOVT)		SCALE	REV. G
			151878	
			SHEET 1 OF 1	