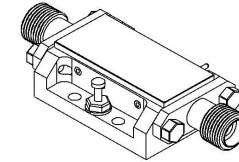
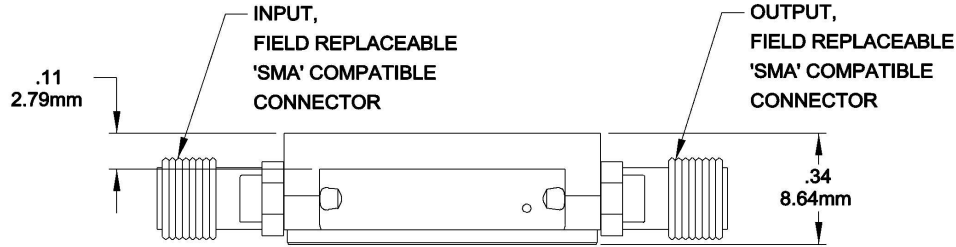
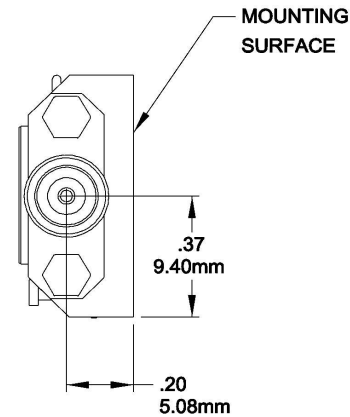
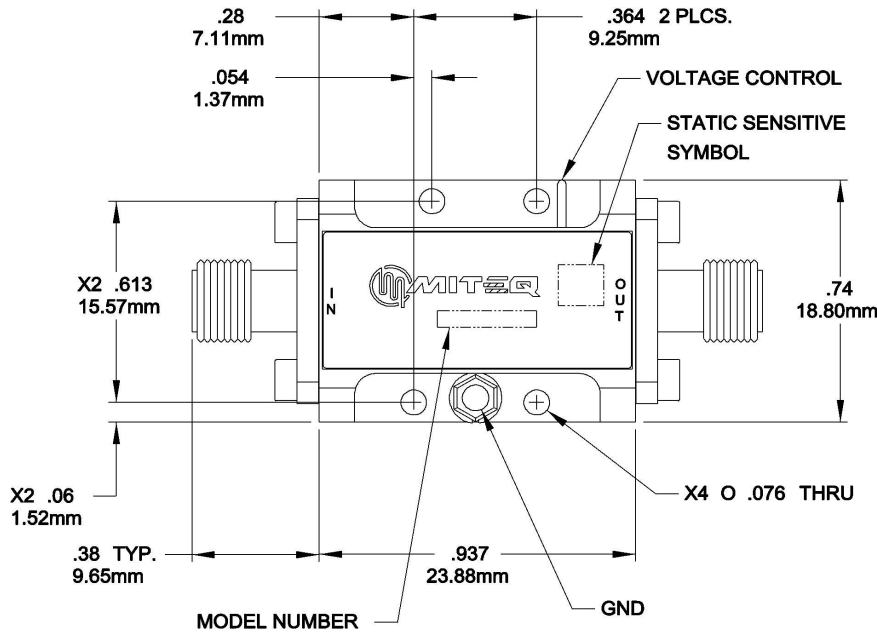


REVISIONS				
ZONE	LTR	DESCRIPTION	DATE	APPROVED
	A	INITIAL RELEASE	07/07/03	<i>EgMarty</i>



ISOMETRIC VIEW



NOTE:
1. SECONDARY DIMENSIONS ARE IN MILLIMETERS.

-5	-4	-3	-2	-1	NOMENCLATURE OR DESCRIPTION	SYM/NOTES	PART NO.	CODE IDENT.	ITEM NO.	
QTY REQ'D					PARTS LIST					
UNLESS OTHERWISE SPECIFIED DIMENSIONS ARE IN INCHES TOLERANCES ON					DRN BY: <i>EgMarty</i> DATE: 07/07/03 CHKD BY: <i>EgMarty</i> 03/13/09		100 Davids Drive, Hauppauge, New York 11788			
DECIMALS .XX±.01 ANGLES ±0°30'					APPROVED BY:		OUTLINE, PIN ATTENUATOR			
MATERIAL					PROJ ENGR: <i>J. Becker</i> 03/13/09 NFG ENGR:					
FINISH					G.A.		SIZE	CODE IDENT. NO.	REV.	
NEXT ASSY					USED ON		C	33592	A	
APPLICATION					HEAT TREAT		SCALE	REF	SHEET 1 OF 1	