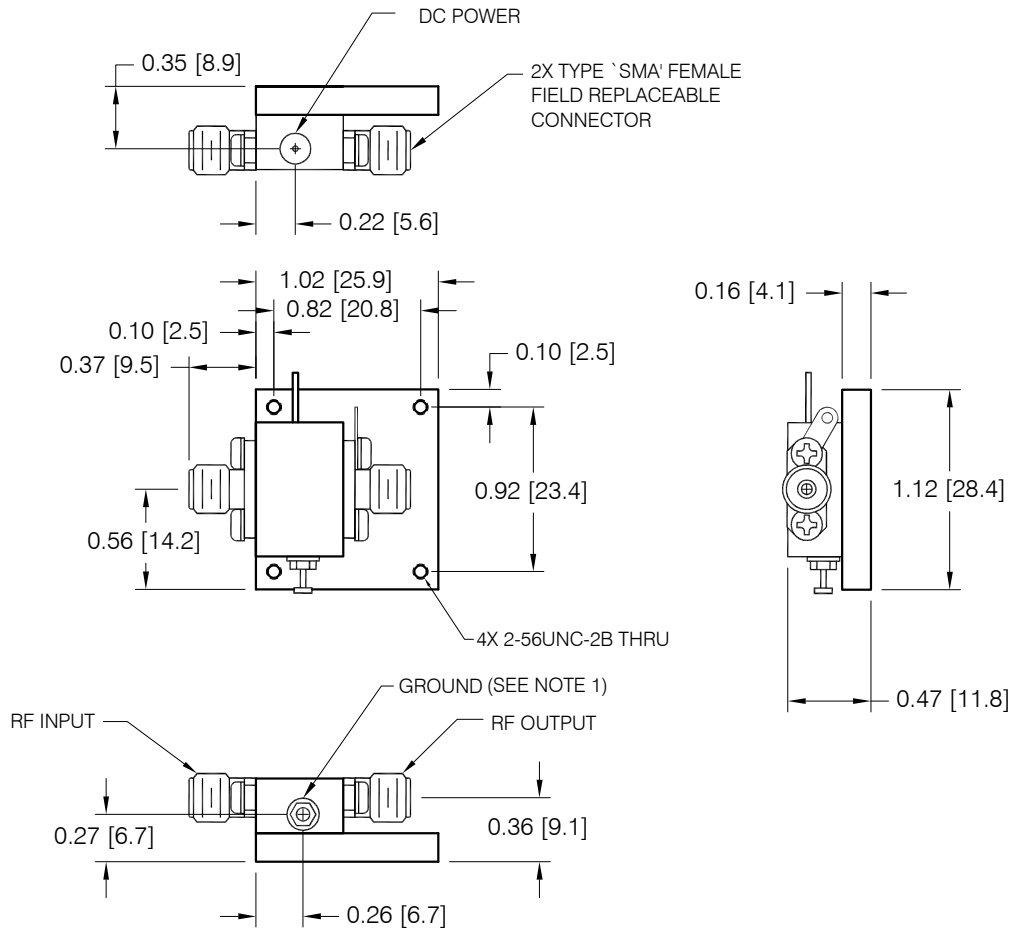


REVISIONS				
ZONE	LTR	DESCRIPTION	DATE	APPROVED
	A	INITIAL RELEASE	4/28/03	J. Bourard



NOTE:
1. STANDARD GROUND TERMINAL SHOWN. MAY BE REPLACED BY GROUND LUG SHOWN ON OUTPUT CONNECTOR AT CUSTOMER OPTION

-5	-4	-3	-2	-1	NOMENCLATURE OR DESCRIPTION	SYM/NOTES	PART NO.	CODE IDENT.	ITEM NO.	
					QTY REQ'D	PARTS LIST				
					UNLESS OTHERWISE SPECIFIED DIMENSIONS ARE IN INCHES TOLERANCES ON DECIMALS .XX±.01 ANGLES .XXX±.005 ±0°30'	DRN BY	NAME <i>hjt</i>	DATE	4/28/03	
						CHKD BY	J. Bourard	DATE	4/28/03	
					MATERIAL	APPROVED BY				
						PROJ ENGR	MEA	DATE	4/29/03	
						ENG SECT				
					FINISH	G.A.				
					BASE PLATE	142297				
					HOUSING	122642				
					NEXT ASSY	USED ON				
					APPLICATION	HEAT TREAT				
							 100 Davids Drive, Hauppauge, New York 11788			
							OUTLINE ULTRA WIDEBAND AMP 2 STG WITH BASEPLATE			
					SIZE	CODE IDENT. NO.			REV.	
					C	33592	150214		A	
					SCALE	REF	45D219	SHEET 1 OF 1		

150214