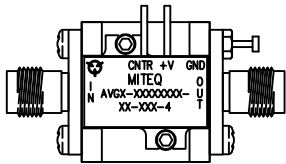
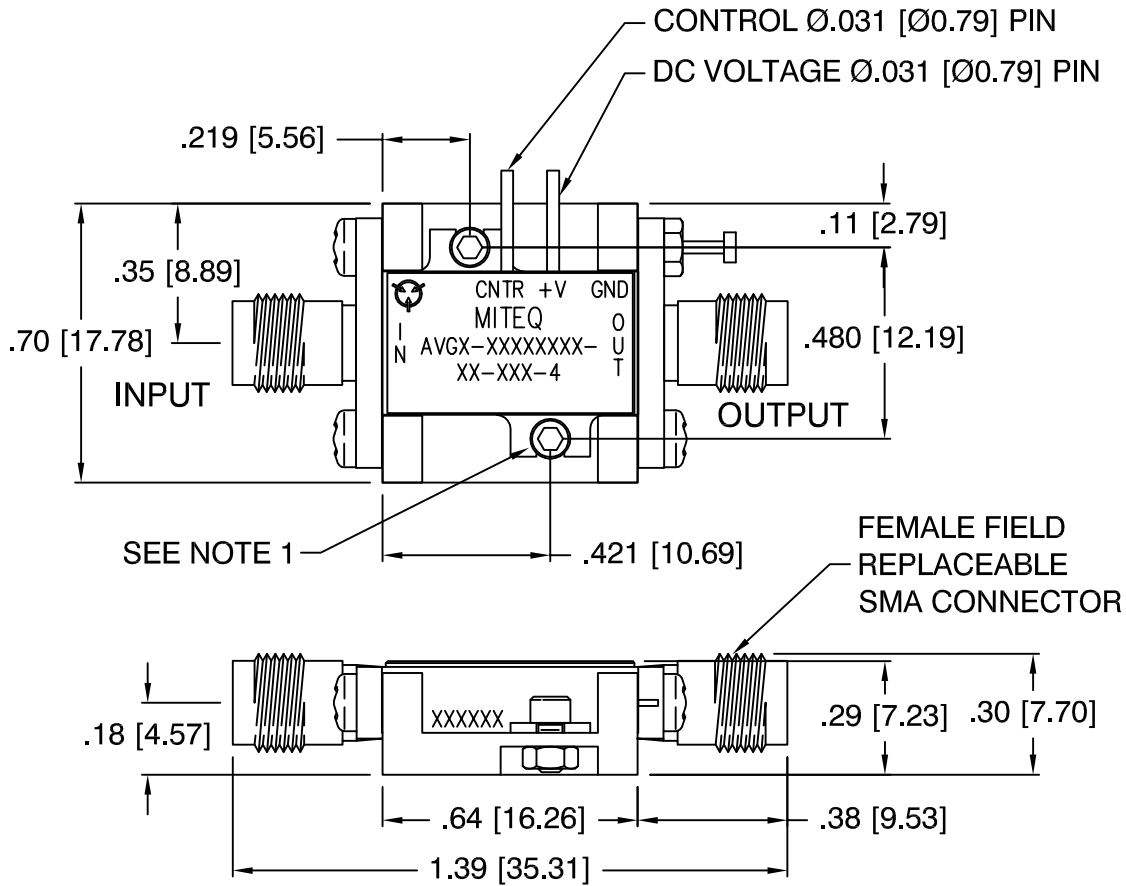
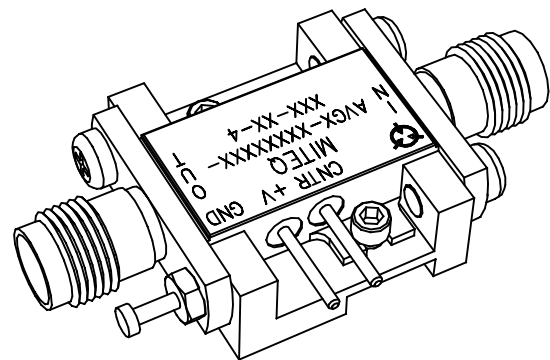


DASH NO.	APPLICATION		REVISIONS			
	NEXT ASSY	USED ON	LTR	DESCRIPTION	DATE	APPROVED
		132724	A	INITIAL RELEASE	4/22/03	RayS




ACTUAL SIZE



NOTE

- AMPLIFIER MAY BE READILY USED AS IS, BY REMOVING EXISTING 0-80 HARDWARE AND SUBSTITUTING SUPPLIED LONGER 0-80 SCREWS FOR CUSTOMER MOUNTING

UNLESS OTHERWISE SPECIFIED DIMENSIONS ARE IN INCHES TOLERANCES ON	NAME	DATE	 100 Davids Drive, Hauppauge, New York 11788		
	DWN BY RayS	4/22/03			
	DECIMAL .XX ±.01 DECIMAL .XXX ±.005 ANGLES X° ±30'	CHK BY RayS	4/25/03	OUTLINE AVG 4 STAGE AMPLIFIER	
	PROJ ENGR N. Shaikh	4/28/03			
	SECT HEAD		SIZE	CODE IDENT. NO.	REV
	Q.C.		A	33592	A
	CUST		SCALE	PROJECT	SHEET 1 OF 1
				150149	