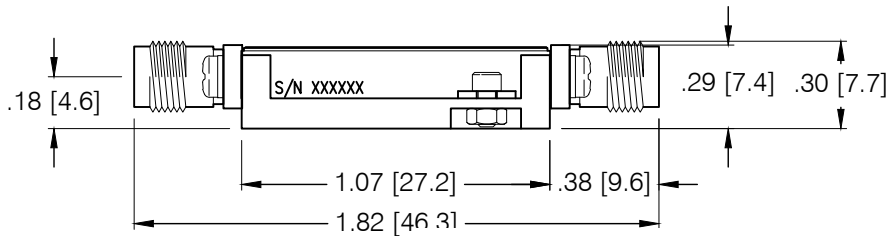
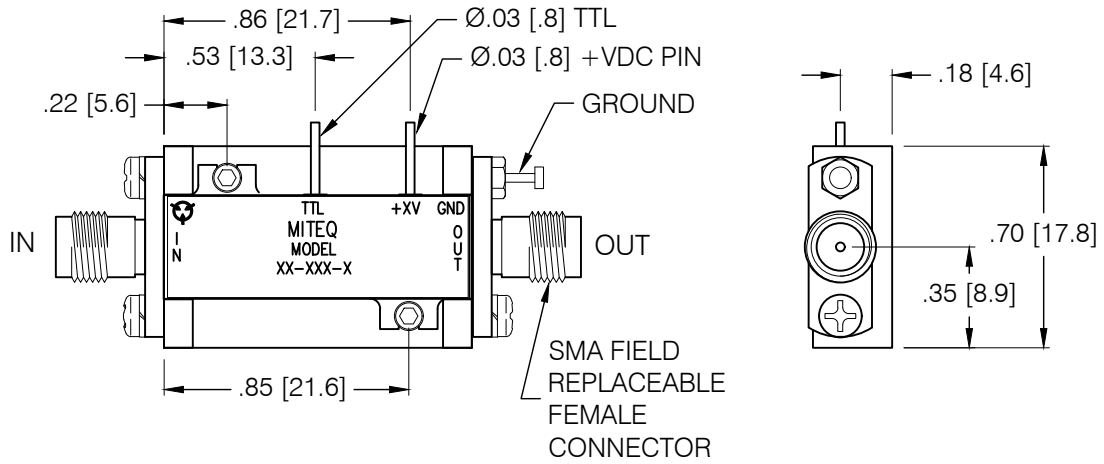
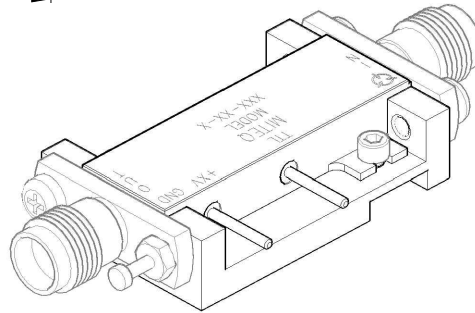
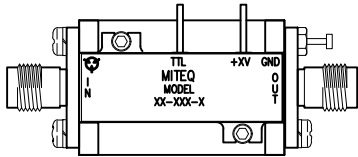


DASH NO.	APPLICATION		REVISIONS			
	NEXT ASSY	USED ON	LTR	DESCRIPTION	DATE	APPROVED
	124446 HSG		B	Incorporated ECN 36014	05/26/16	J.Bovaïrd
PRINT NOT ON AUTOMATIC DISTRIBUTION VERIFY REVISION PRIOR TO USE						



ACTUAL SIZE



THESE ITEM(S)/TECHNOLOGY CONTAIN INFORMATION SUBJECT TO U.S. GOVERNMENT EXPORT CONTROL IN ACCORDANCE WITH THE EXPORT ADMINISTRATION REGULATIONS (EAR), 15 CFR PARTS 730-744. EXPORT OF THIS DATA TO ANY FOREIGN COUNTRY OR DISCLOSURE OF THIS DATA TO ANY NON-US PERSON MAY BE A VIOLATION OF FEDERAL LAW.

Narda-MITEQ PROPRIETARY

THIS DOCUMENT CONTAINS INFORMATION WHICH IS PROPRIETARY TO Narda-MITEQ. THE CONTENTS SHALL NOT BE DISCLOSED, COPIED, DISTRIBUTED, OR USED UNLESS AUTHORIZED BY AN OFFICER OF Narda-MITEQ. UNLESS

NOTE

1. DIMENSIONS IN BRACKETS ARE METRIC EQUIVALENTS

UNLESS OTHERWISE SPECIFIED DIMENSIONS ARE IN INCHES TOLERANCES ON	NAME	DATE
DECIMAL .X ±0.1 [2.5] DECIMAL .XX ±0.01 [0.25] DECIMAL .XXX ±0.005 [0.13] ANGLES X° ±30'	DWN <i>RayS</i>	04/16/03
	DFT DES <i>J.Bovaïrd</i>	06/28/16
	PROJ ENGR <i>Joseph Buonaiuto</i>	07/11/16
PROJECTION	MFG ENGR	
	Q.C.	
	CUST	



435 MORELAND RD HAUPPAUGE, NY 11788

OUTLINE AFS8 AMPLIFIER WITH TTL GAIN CONTROL

SIZE A	CODE IDENT. NO. 99899	150057	REV B
SCALE		PROJECT	SHEET 1 OF 1