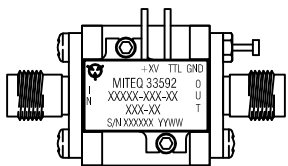
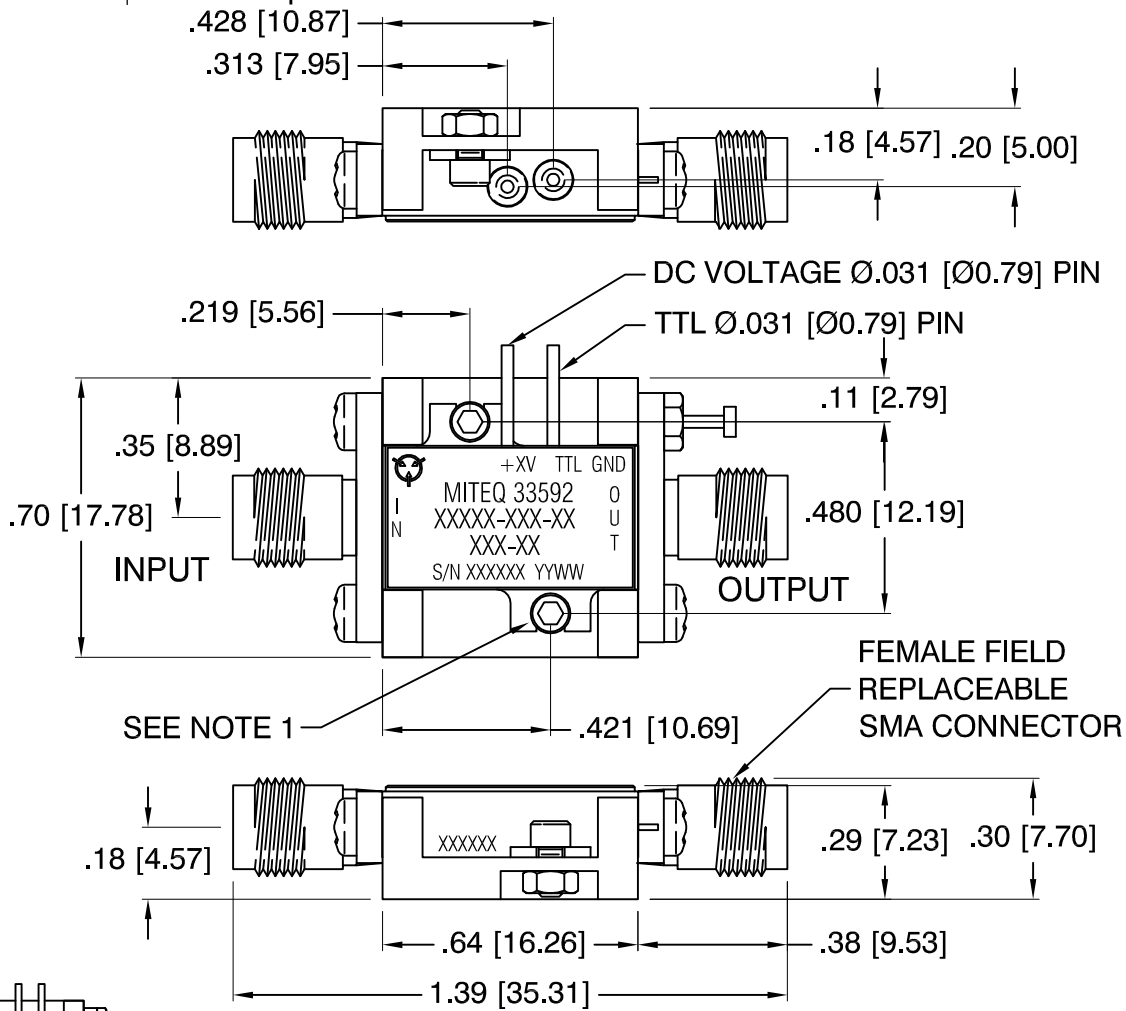


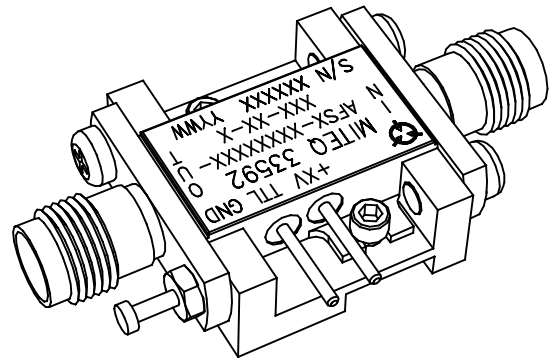
DASH NO.	APPLICATION		REVISIONS			
	NEXT ASSY	USED ON	LTR	DESCRIPTION	DATE	APPROVED
		132724	B	TTL AND DC PIN LOCATION	1/10/2006	<i>Ray S</i>




ACTUAL SIZE

NOTE

- AMPLIFIER MAY BE READILY USED AS IS, BY REMOVING EXISTING 0-80 HARDWARE AND SUBSTITUTING SUPPLIED LONGER 0-80 SCREWS FOR CUSTOMER MOUNTING



UNLESS OTHERWISE SPECIFIED DIMENSIONS ARE IN INCHES TOLERANCES ON	NAME	DATE	 100 Davids Drive, Hauppauge, New York 11788		
	DWN BY <i>Ray S</i>	4/16/2003			
DECIMAL .XX ±.01 DECIMAL .XXX ±.005 ANGLES X° ±30'	CHK BY <i>Ray S</i>	1/10/2006	OUTLINE AFS4 AMPLIFIER WITH TTL GAIN CONTROL		
	PROJ ENGR <i>J. Buonaiuto</i>	1/11/2006			
AMPLIFIER - KOVAR GOLD PLATED	SECT HEAD		SIZE	CODE IDENT. NO.	REV
	Q.C.		A	33592	B
FIXTURE ALUMINUM, IRIDITE	CUST		SCALE	PROJECT	SHEET 1 OF 1