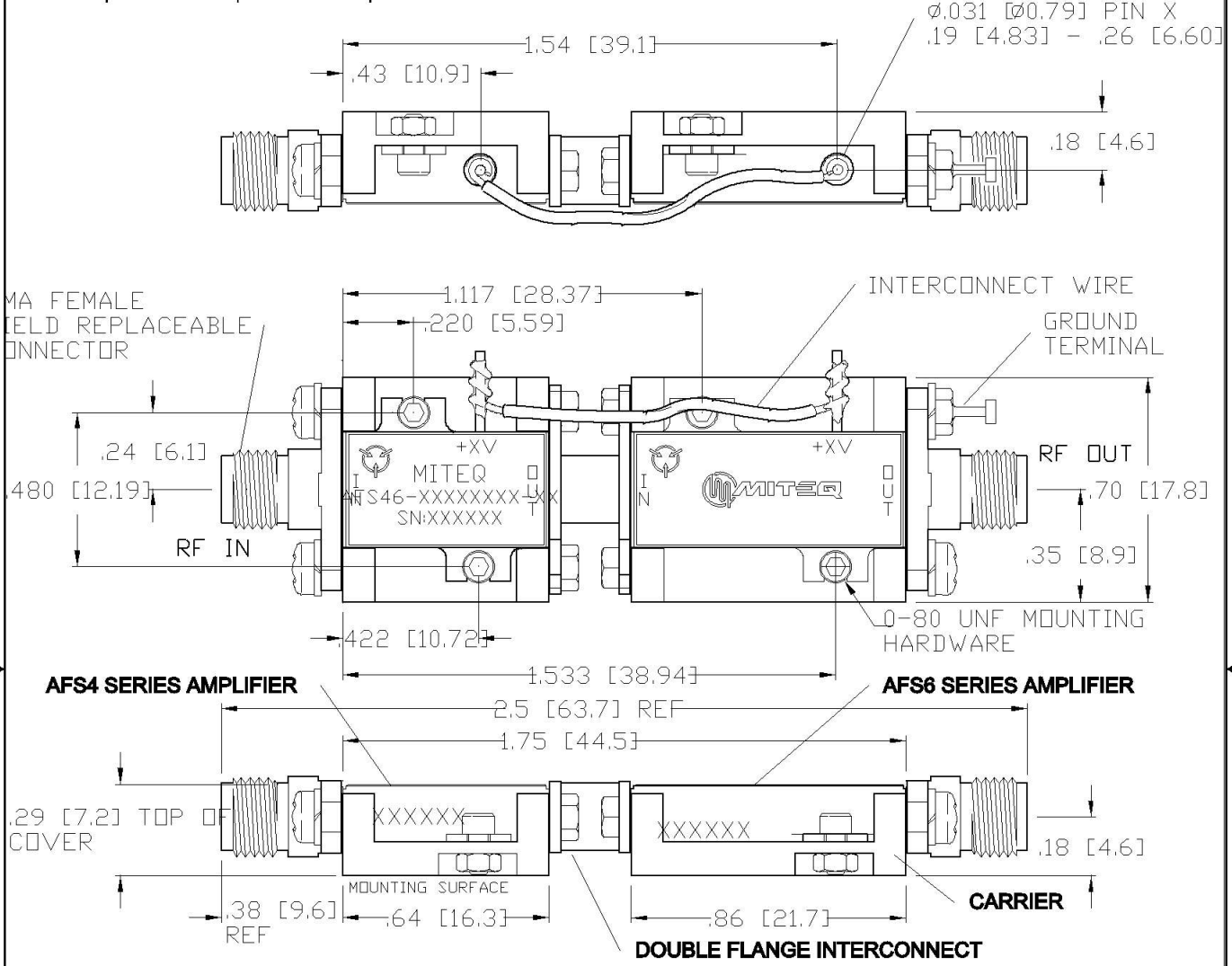


DASH NO.	APPLICATION		REVISIONS				
	NEXT ASSY	USED ON	LTR	DESCRIPTION	DATE	APPROVED	
			C	Incorporate ECN 31525	08/06/14	RScherer	



NOTES:

1. DIMENSIONS IN BRACKET ARE METRIC EQUIVALENTS.
2. MARKING MAY VARY AS PER CUSTOMER SPECIFICATIONS.
3. EXISTING 0-80 MOUNTING HARDWARE CAN BE REPLACED WITH LONGER SCREWS FOR MOUNTING.

UNLESS OTHERWISE SPECIFIED DIMENSIONS ARE IN INCHES TOLERANCES ON	NAME	DATE	 100 Davids Drive, Hauppauge, New York 11788		
	DWN	RScherer			
DECIMAL .X ±0.1 [2.5]	DFT		CASCADING AMPLIFIER AFS46 OUTLINE		
DECIMAL .XX ±0.01 [0.25]	IGN				
DECIMAL .XXX ±0.005 [0.13]	PRQJ		A	33592	C
ANGLES X° ±30'	ENGR		SCALE	PROJECT	SHEET 1
PROJECTION	MFG				1 OF
 ESD SENSITIVE COMPONENT	ENGR				
	Q.C.				
	CUST				