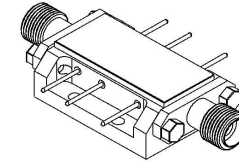
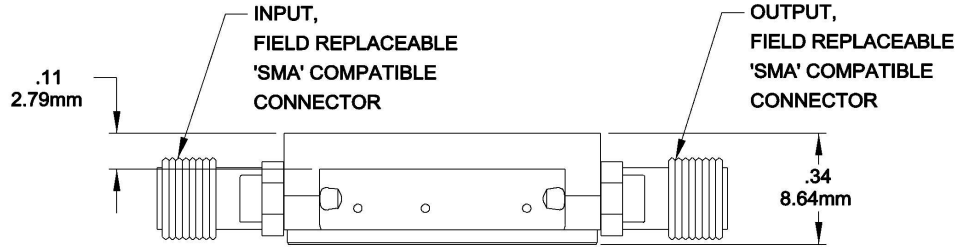
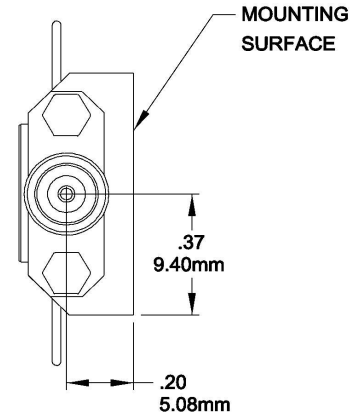
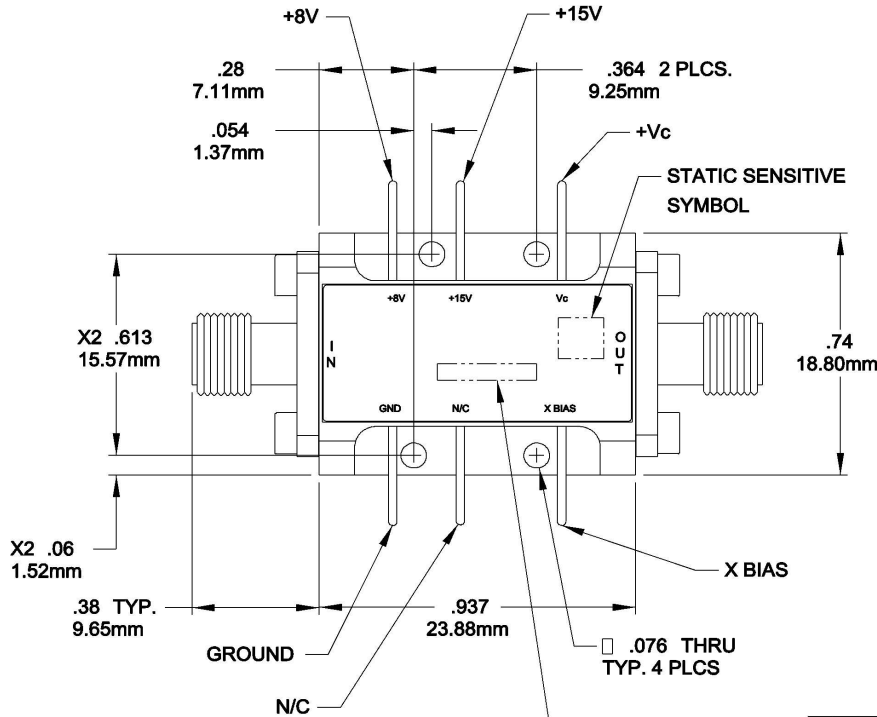


REVISIONS				
ZONE	LTR	DESCRIPTION	DATE	APPROVED
	D	+5V-+8V, Vc-+Vc, X BIAS-N/C, MZ BIAS-	11/20/2001	<i>EgMarty</i>



ISOMETRIC VIEW



NOTE:
1. SECONDARY DIMENSIONS ARE IN MILLIMETERS.

MODEL NUMBER

-5	-4	-3	-2	-1	NOMENCLATURE OR DESCRIPTION	SYM/NOTES	PART NO.	CODE IDENT.	ITEM NO.	
QTY REQ'D					PARTS LIST					
UNLESS OTHERWISE SPECIFIED DIMENSIONS ARE IN INCHES TOLERANCES ON					DRN BY: <i>EgMarty</i> DATE: 11/20/2001 CHKD BY: <i>EgMarty</i> DATE: 11/2/2006		100 Davids Drive, Hauppauge, New York 11788			
DECIMALS .XX±.01 ANGLES .XXX±.005 ±0°30'					APPROVED BY:		OUTLINE, DRIVER AMPLIFIER JSX SERIES			
MATERIAL					PROJ ENGR: <i>P. Syed</i> DATE: 11/2/2006 ENG SECT:		SIZE CODE IDENT. NO. REV. C 33592 143493 D			
FINISH					G.A.		SCALE REF 80D000 SHEET 1 OF 1			
NEXT ASSY USED ON					APPLICATION HEAT TREAT					