

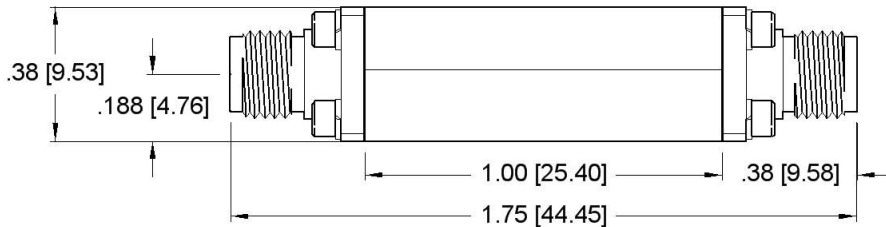
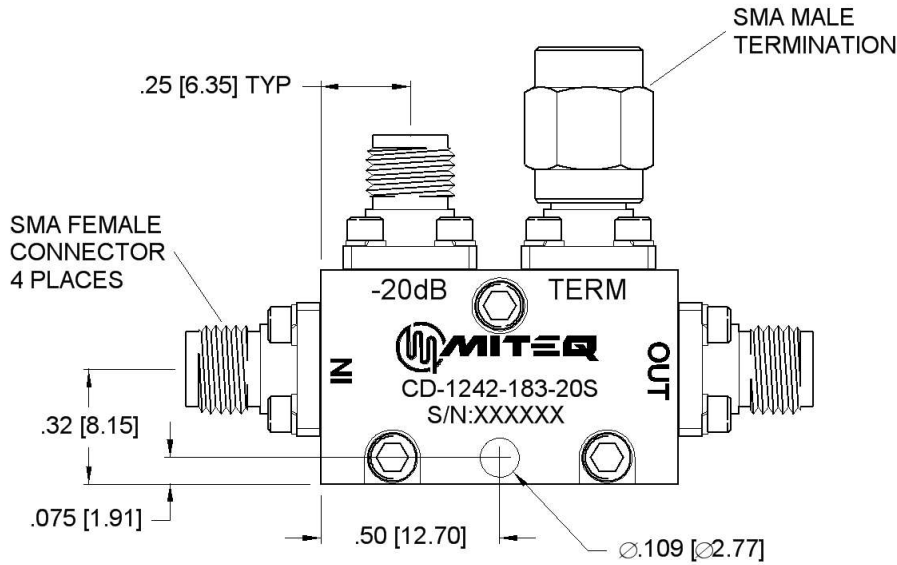
# Current Revision

As of 6/22/2011 2:55:09 PM

DWALATA



DASH NO.	APPLICATION		REVISIONS			
	NEXT ASSY	USED ON	LTR	DESCRIPTION	DATE	APPROVED
			F	Incorporate ECN 19950	06/22/11	<i>R.Scherer</i>



### NOTES

1. MATERIAL: ALUMINUM ALLOY 6061-T6
2. FINISH: TRIVALENT CHROMATE CONVERSION IAW: MIL-DTL-5541, TYPE 2, CLASS 3.

UNLESS OTHERWISE SPECIFIED DIMENSIONS ARE IN INCHES TOLERANCES ON	NAME	DATE	 100 Davids Drive, Hauppauge, New York 11788		
	DWN <i>W. Hurst</i>	10/31/01			
DECIMAL .X ±0.1 DECIMAL .XX ±0.01 DECIMAL .XXX ±0.005 ANGLES X° ±30'	DFT DES <i>R.Scherer</i>	06/22/11	<b>OUTLINE DRAWING</b> <b>DIRECTIONAL COUPLER</b> <b>CD-1242-183-20S</b>		
	PROJ ENGR <i>W. Davidsson</i>	06/22/11			
	MFG ENGR		SIZE	CODE IDENT. NO.	REV
	Q.C.		<b>A</b>	<b>33592</b>	<b>F</b>
	CUST		SCALE	PROJECT 38POD77	SHEET 1 OF 1