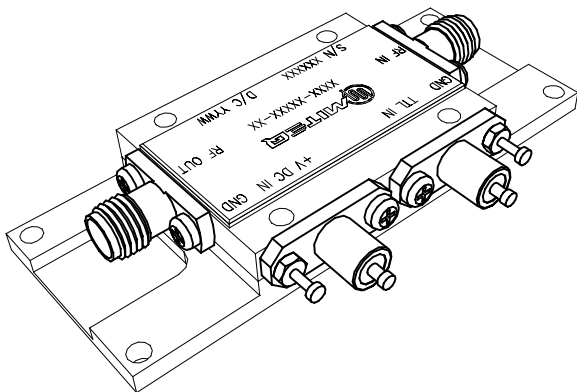
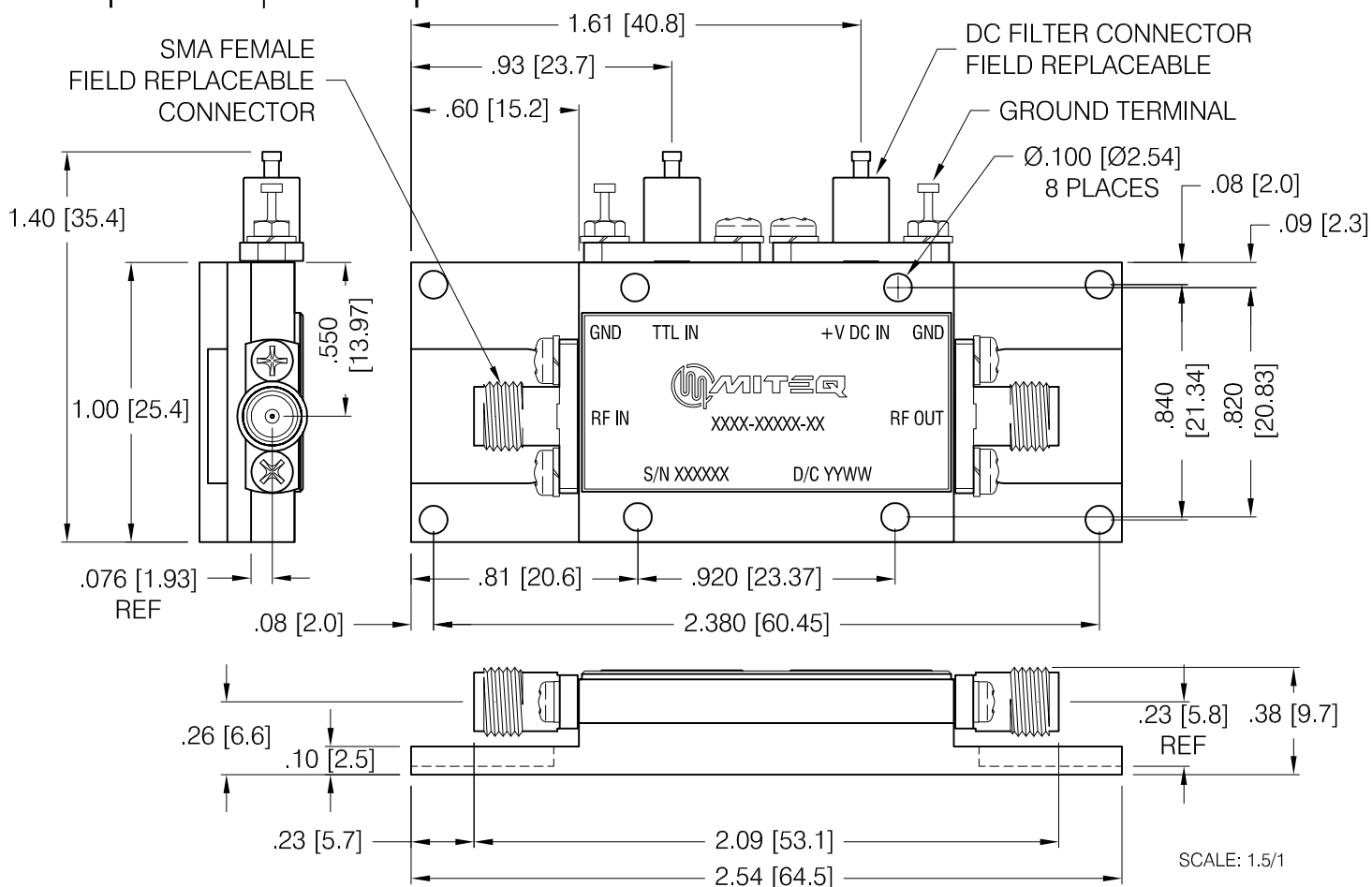



DASH NO.	APPLICATION		REVISIONS			
	NEXT ASSY	USED ON	LTR	DESCRIPTION	DATE	APPROVED
	141041		C	Incorporate ECN 5461	6/20/2007	<i>Ray S</i>
	142049					



NOTES:

1. DIMENSIONS IN BRACKETS ARE IN MILLIMETER
2. ALL PINS Ø.015 [Ø0.38] X .080 [2.03] LONG
3. HOUSING IS HERMETIC AND MADE OF KOVAR
4. ESTIMATED WEIGHT 1.61 OZ

UNLESS OTHERWISE SPECIFIED DIMENSIONS ARE IN INCHES TOLERANCES ON DECIMAL .X ±0.1 DECIMAL .XX ±0.01 DECIMAL .XXX ±0.005 ANGLES X° ±30'	NAME	DATE	 100 Davids Drive, Hauppauge, New York 11788				
	DWN BY <i>Ray S</i>	6/18/2001					
	CHK BY <i>Ray S</i>	6/20/2007	DGA SERIES DUAL GAIN TTL CONTROLLED AMPLIFIER OUTLINE		SIZE	CODE IDENT. NO.	142048
PROJ ENGR <i>J. Buonaiuto</i>	6/20/2007	A			33592	C	
SECT HEAD		SCALE			PROJECT	SHEET 1 OF 1	
Q.C.							
CUST							